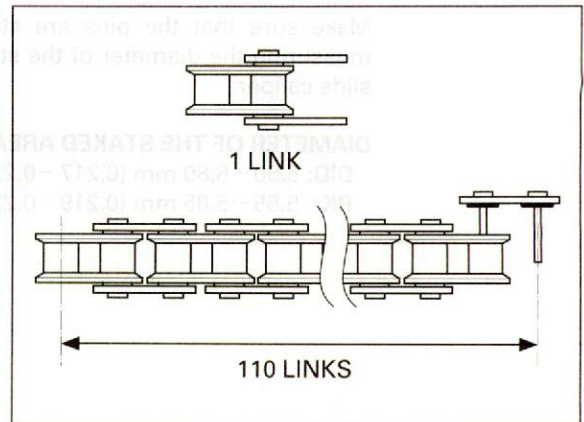


Remove the excess drive chain links from the new drive chain with the drive chain tool set.

**NOTE:**

Include the master link when you count the drive chain links.

**STANDARD LINKS:** 110 links  
**REPLACEMENT CHAIN:**  
**DID:** DID50ZV-120ZB  
**RK:** RK50LFO-120LJ-FZ



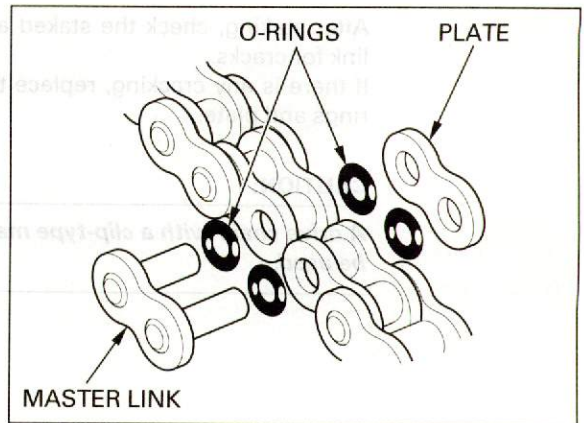
**CAUTION:**

*Never reuse the oil drive chain, master link, master link plate and O-rings.*

Assemble the new master link, O-rings and plate.

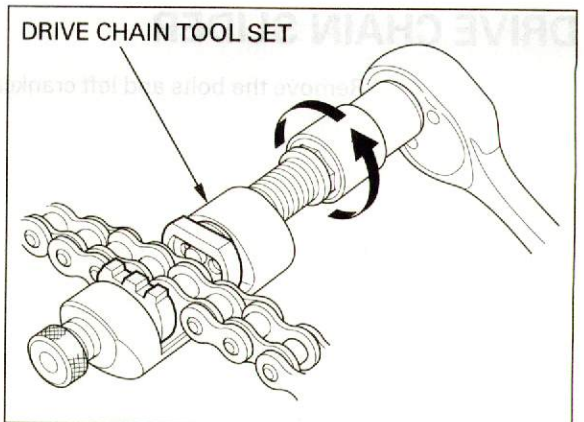
**CAUTION:**

*Insert the master link from the inside of the drive chain, and install the plate with the identification mark facing the outside.*



Assemble and set the drive chain tool set.

**TOOL:**  
**Drive chain tool set**                      07HMH-MR10103



Make sure that the master link pins are installed properly. Measure the master link pin length projected from the plate.

**STANDARD LENGTH:**  
**DID:** 1.15 – 1.55 mm (0.045 – 0.061 in)  
**RK:** 1.20 – 1.40 mm (0.047 – 0.055 in)

Stake the master link pins.

