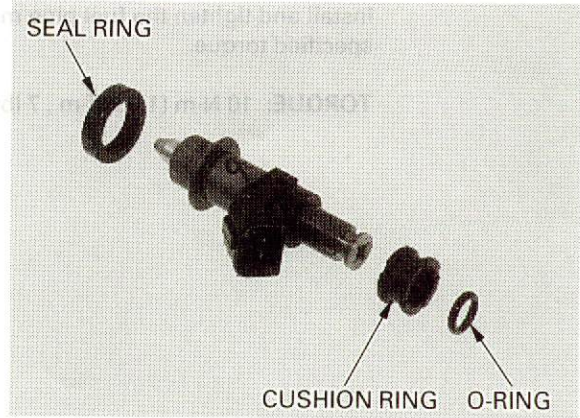


Remove the seal ring, O-ring and cushion ring.



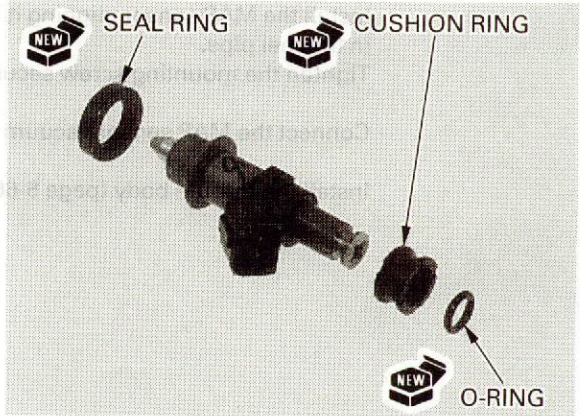
## INSTALLATION

Replace the seal ring, cushion ring and O-ring with new ones as a set.

Apply oil to the new O-ring.  
Install the new seal ring, cushion ring and O-ring.

### CAUTION:

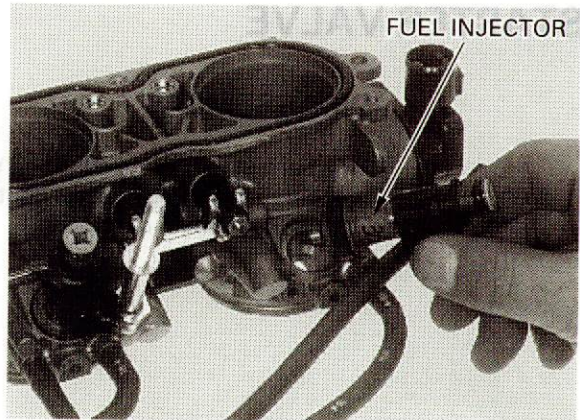
**Be careful not to damage the O-ring when installing it.**



Install the fuel injectors into the throttle body.

### CAUTION:

**Be careful not to damage the seal ring when installing the injector into the throttle body.**



Install the fuel pipe assembly over the fuel injectors.

### CAUTION:

**Be careful not to damage the O-rings.**

