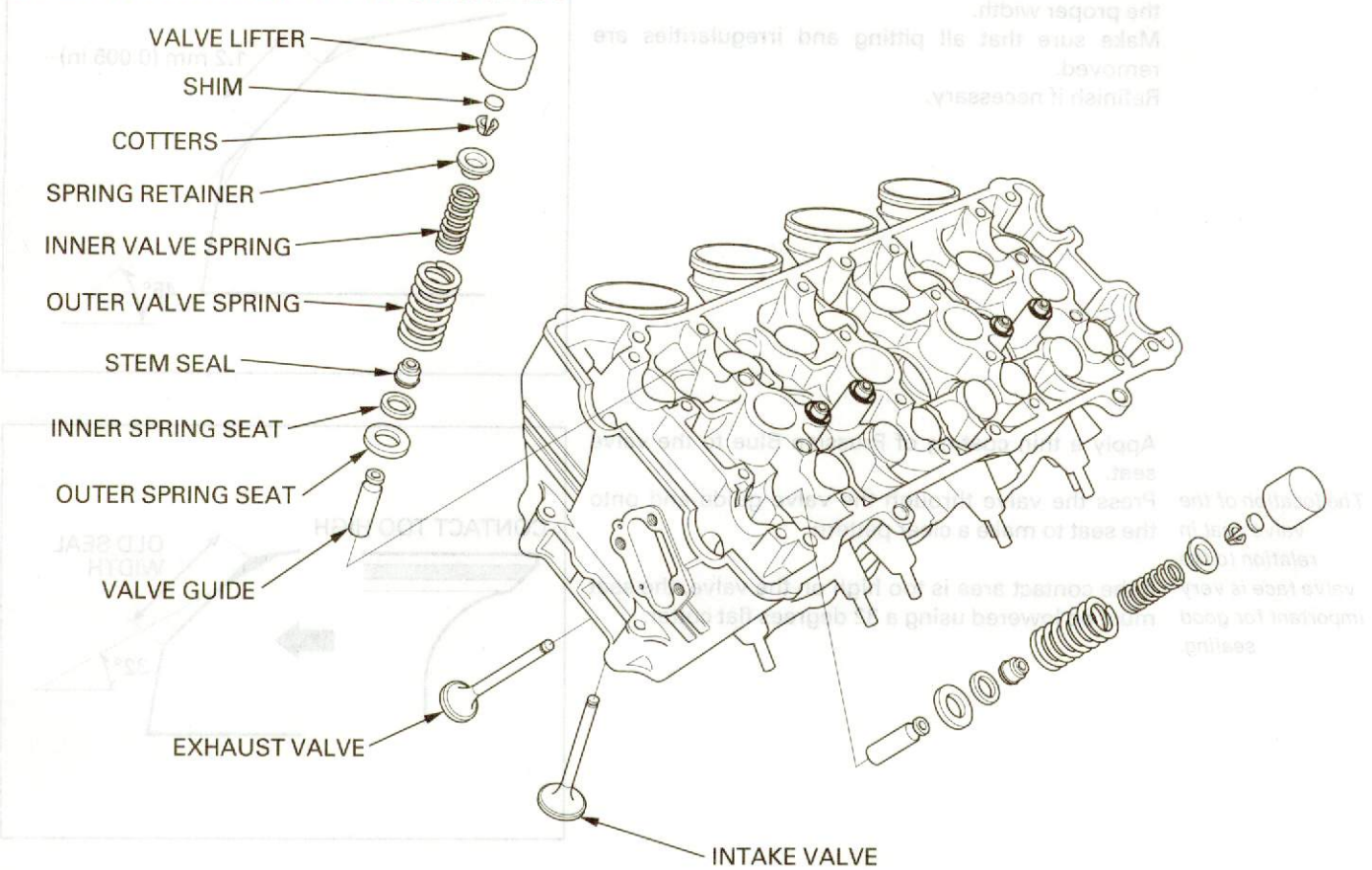


**CYLINDER HEAD ASSEMBLY**

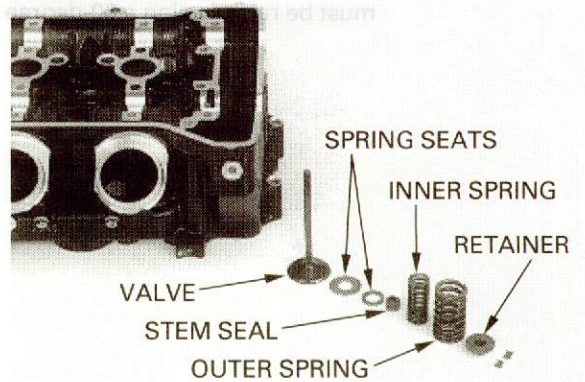


Clean the cylinder head assembly with solvent and blow through all oil passages with compressed air.

Install the inner and outer valve spring seats. Install the new stem seals.

Lubricate the valve stems with molybdenum disulfide oil and insert the valve into the valve guide.

To avoid damage to the stem seal, turn the valve slowly when inserting.



Install the tappet hole protector into the valve lifter bore.

**TOOL:**  
Tappet hole protector 07HMG-MR70002

