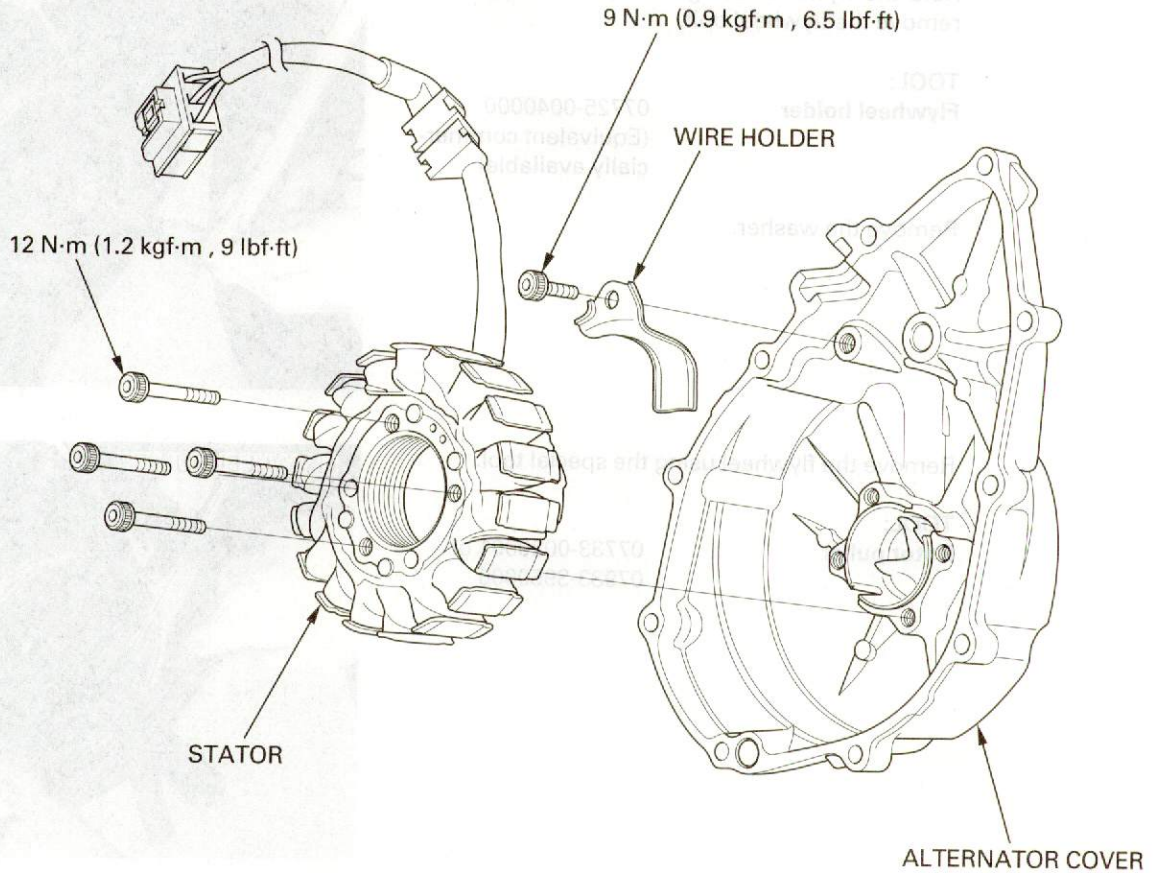


INSTALLATION



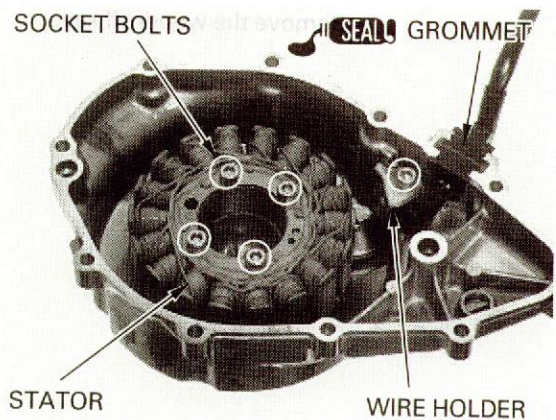
Install the stator into the alternator cover.

Apply sealant to the wire grommet, then install the wire grommet into the alternator groove securely. Install and tighten the socket bolts to the specified torque.

TORQUE: 12 N·m (1.2 kgf·m , 9 lbf·ft)

Install the wire holder and tighten the socket bolt to the specified torque.

TORQUE: 9 N·m (0.9 kgf·m , 6.5 lbf·ft)



FLYWHEEL REMOVAL

Remove the alternator cover (page 10-2).

Remove the starter idle gear shaft and idle gear.

