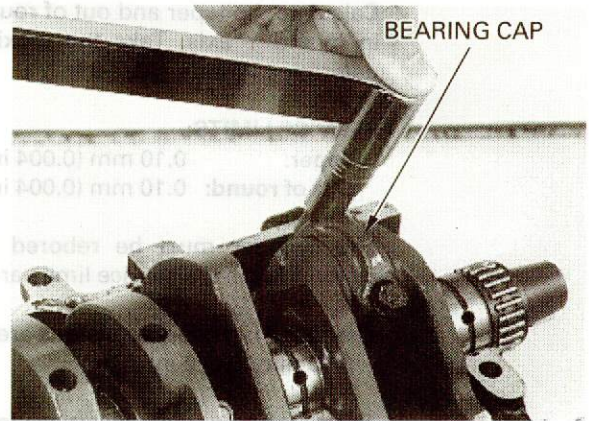
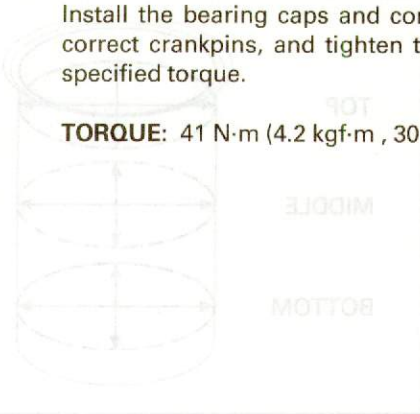


CRANKCASE/PISTON/CYLINDER

Install the bearing caps and connecting rods on a correct crankpins, and tighten the cap nuts to the specified torque.

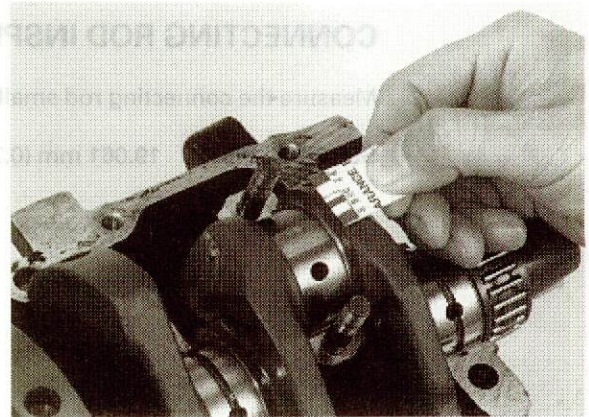
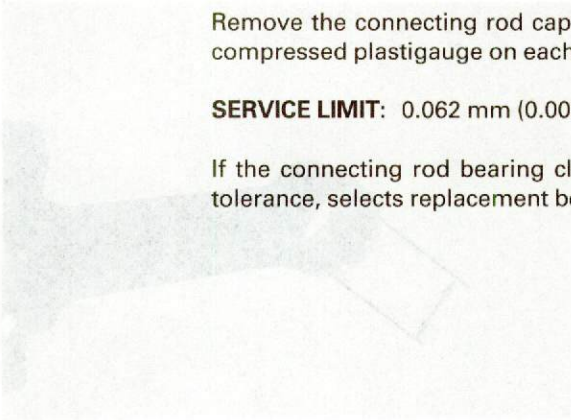
TORQUE: 41 N·m (4.2 kgf·m , 30 lbf·ft)



Remove the connecting rod caps and measure the compressed plastigauge on each crankpin.

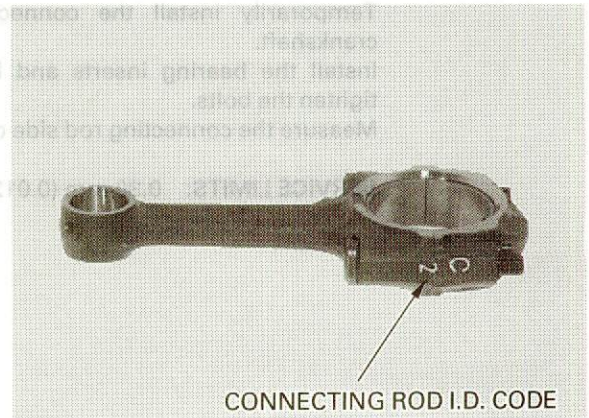
SERVICE LIMIT: 0.062 mm (0.0024 in)

If the connecting rod bearing clearance is beyond tolerance, select replacement bearing.



CRANKPIN BEARING SELECTION

Record the connecting rod I.D. code number (1 or 2) or measure the I.D. with the bearing cap installed without bearing inserts.



If you are replacing the crankshaft, record the corresponding crankpin O.D. code number (A or B).

NOTE:

Numbers (A or B) on the crank weight are the codes for the crankpin O.D.s starting from the left.

If you are reusing the crankshaft, measure the crankpin O.D. with the micrometer.

