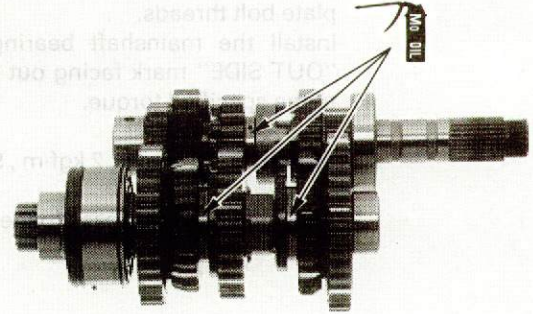


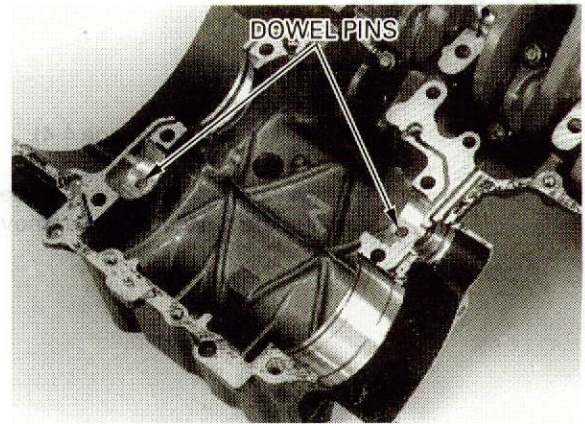
Assemble the transmission gear and shafts.  
Coat each gear with clean engine oil and check for smooth movement.

Apply molybdenum disulfide oil to the shift fork grooves in the M3, C4 and C5 gear.

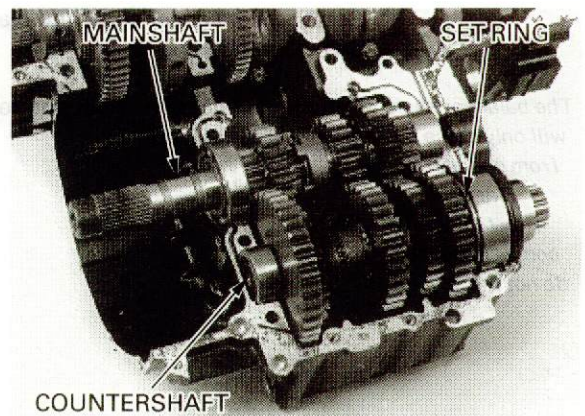


## INSTALLATION

Install the dowel pins on the upper crankcase holes.



Install the mainshaft and countershaft by aligning the countershaft bearing set ring with the groove on the crankcase, and aligning the bearing cap holes with the dowel pins.



Also align the countershaft bearing stopper pin with the groove in the crankcase.

