

# FRONT WHEEL/SUSPENSION/STEERING

## STEERING HEAD BEARING PRE-LOAD

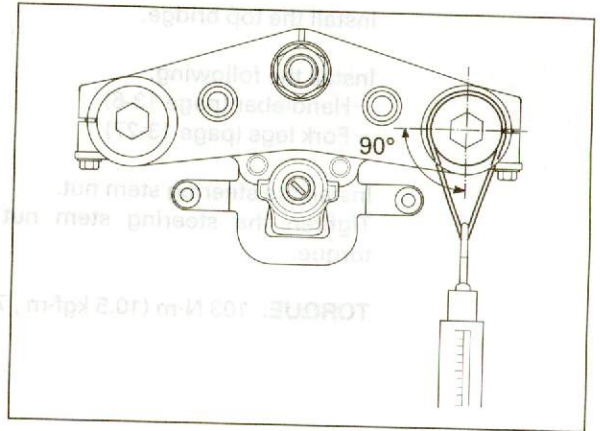
Jack-up the motorcycle to raise the front wheel off the ground.

Position the steering stem to the straight ahead position.

Hook a spring scale to the fork tube and measure the steering head bearing pre-load.

### NOTE:

Make sure that there is no cable or wire harness interference.



The pre-load should be within 10–15 N (1.0–1.5 kgf).

If the readings do not fall within the limits, lower the front wheel to the ground and adjust the steering bearing adjusting nut.

