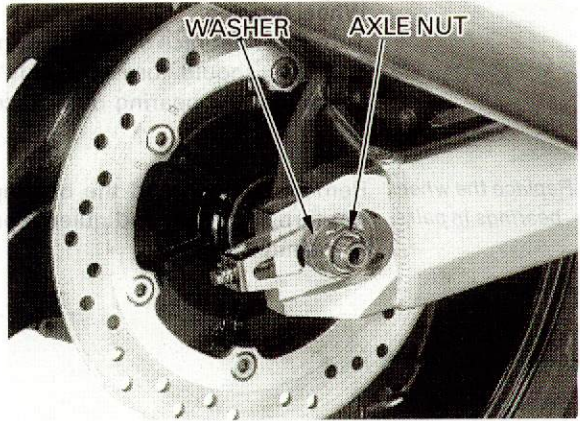
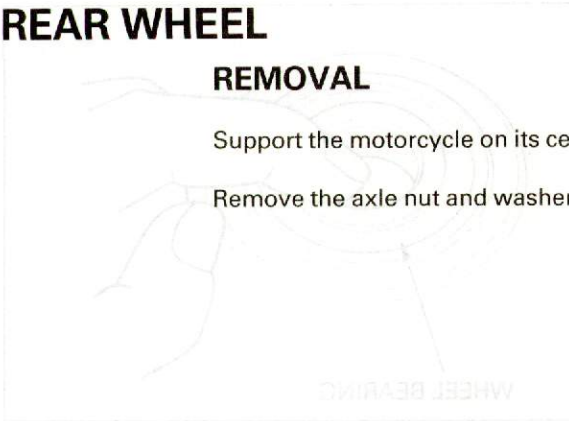


REAR WHEEL

REMOVAL

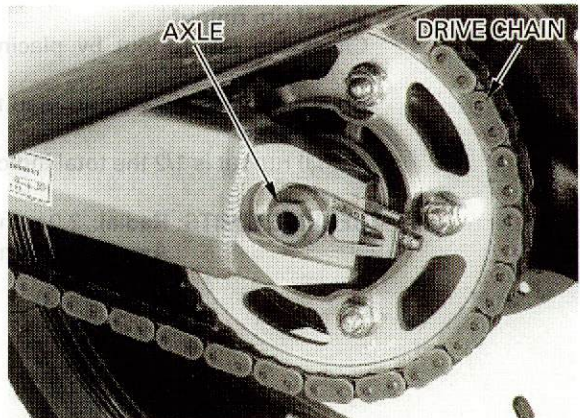
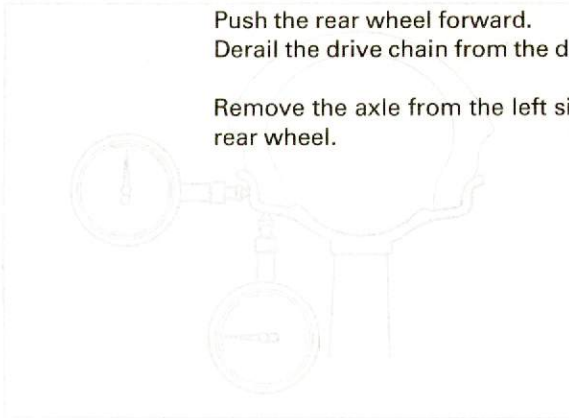
Support the motorcycle on its center stand.

Remove the axle nut and washer.

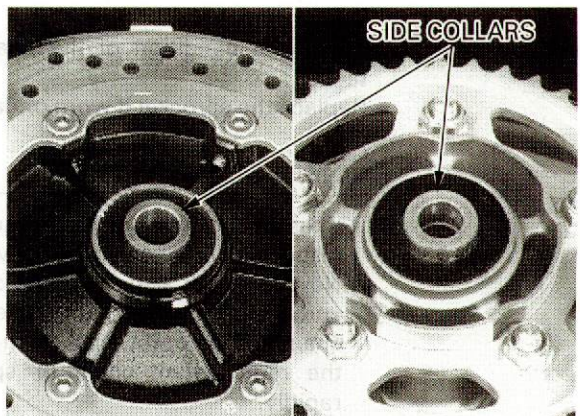
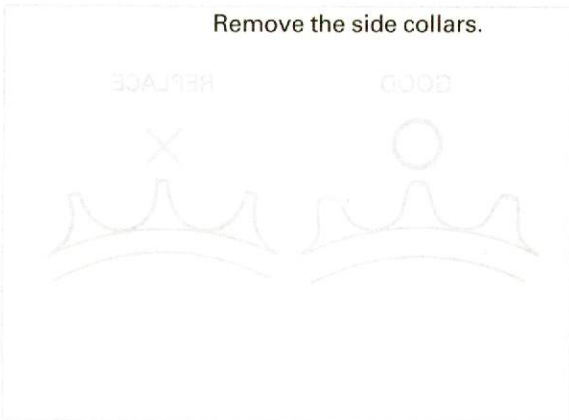


Push the rear wheel forward.
Derail the drive chain from the driven sprocket.

Remove the axle from the left side and remove the rear wheel.



Remove the side collars.



INSPECTION

Axle

Place the axle in V-blocks and measure the runout.
Actual runout is 1/2 the total indicator reading.

SERVICE LIMIT: 0.20 mm (0.008 in)

