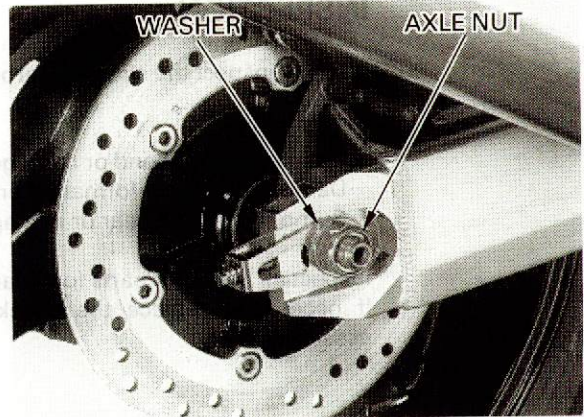


Install the washer and loosely install the axle nut.

Adjust the drive chain slack (page 3-20).

Tighten the axle nut to the specified torque.

TORQUE: 118 N·m (12.0 kgf·m , 87 lbf·ft)



SHOCK ABSORBER

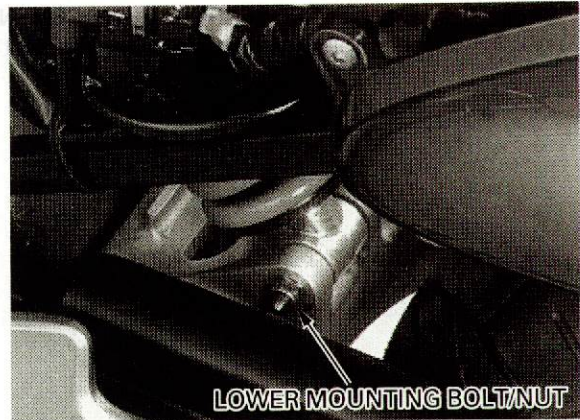
REMOVAL

Place the motorcycle on its center stand.

Remove the seat (page 2-2).

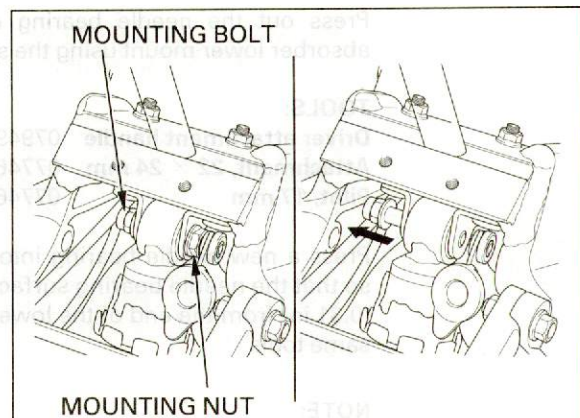
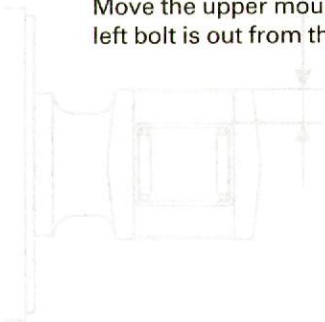
Support the rear end of the fuel tank (page 2-11).

Remove the shock absorber lower mounting bolt/nut.



Loosen and remove the shock absorber upper mounting nut.

Move the upper mounting bolt to the left so that the left bolt is out from the right mounting bracket.



Remove the shock absorber upper mounting bracket nuts.

Lower and turn the shock absorber with the left bracket, so that the upper mounting bolt can be removed.

Remove the upper mounting bolt and shock absorber.

