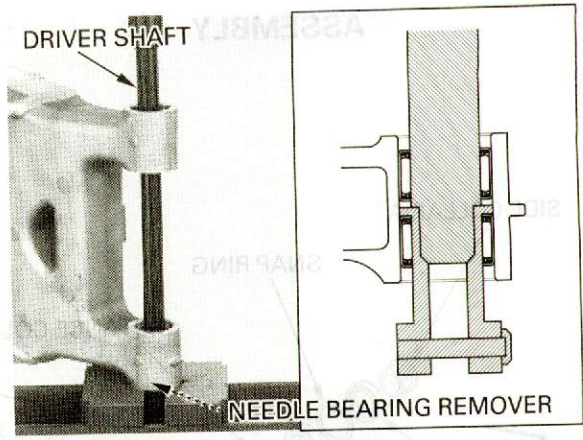


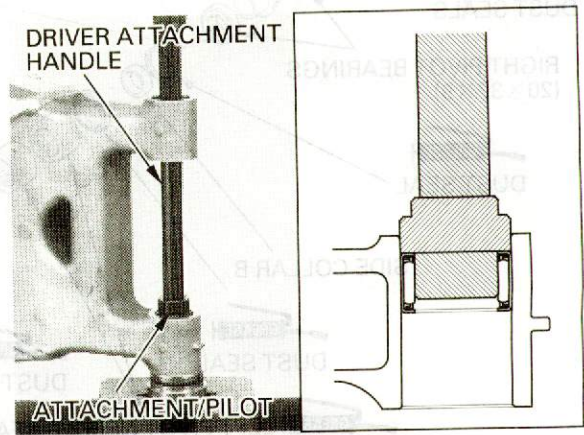
Press out the left pivot outer needle bearing from the swingarm pivot using the special tools.

- TOOLS:**
Driver shaft 07946-MJ00100
Needle bearing remover 07HMC-MR70100



Press out the left pivot inner needle bearing from the swingarm pivot using the special tools.

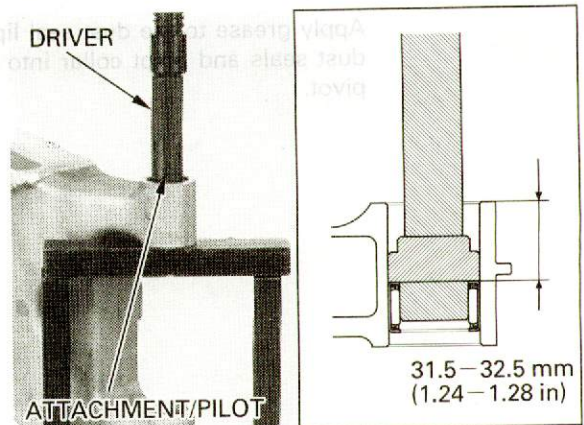
- TOOLS:**
Driver attachment handle 07949-3710001
Attachment, 32 × 35 mm 07746-0010100
Pilot, 28 mm 07746-0041100



Press a new left pivot inner needle bearing into the swingarm pivot so that the needle bearing surface is lower 31.5–32.5 mm (1.24–1.28 in) from the end of the swingarm pivot surface using the special tools.

NOTE:
 Press the needle bearing into the swingarm with the marked side facing out.

- TOOLS:**
Driver 07749-0010000
Attachment, 32 × 35 mm 07746-0010100
Pilot, 28 mm 07746-0041100



Press a new left pivot outer needle bearing into the swingarm pivot so that the needle bearing surface is lower 5.5–6.5 mm (0.22–0.26 in) from the end of the swingarm pivot surface using the special tools.

NOTE:
 Press the needle bearing into the swingarm with the marked side facing out.

- TOOLS:**
Driver 07749-0010000
Attachment, 32 × 35 mm 07746-0010100
Pilot, 28 mm 07746-0041100

