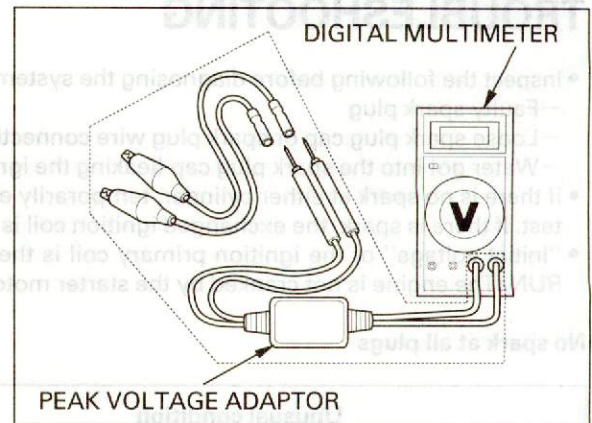


IGNITION SYSTEM INSPECTION

NOTE:

- If there is no spark at any plug, check all connections for loose or poor contact before measuring each peak voltage.
- Use recommended digital multimeter or commercially available digital multimeter with an impedance of 10 M Ω /DCV minimum.
- The display value differs depending upon the internal impedance of the multimeter.
- If using Imrie diagnostic tester (model 625), follow the manufacturer's instructions.



Connect the peak voltage adaptor to the digital multimeter, or use the Imrie diagnostic tester.

TOOLS:

- **Imrie diagnostic tester (model 625) or Peak voltage adaptor 07HGJ-0020100 with commercially available digital multimeter (impedance 10 M Ω /DCV minimum)**

IGNITION COIL PRIMARY PEAK VOLTAGE

▲WARNING

Avoid touching the spark plugs and tester probes to prevent electric shock.

NOTE:

- Check all system connections before inspection. If the system is disconnected, incorrect peak voltage might be measured.
- Check cylinder compression and check that the spark plugs are installed correctly.

Shift the transmission into neutral and disconnect the all spark plug caps from the spark plugs. Connect a known good spark plugs to the spark plug caps and ground the spark plugs to the cylinder as done in a spark test.

