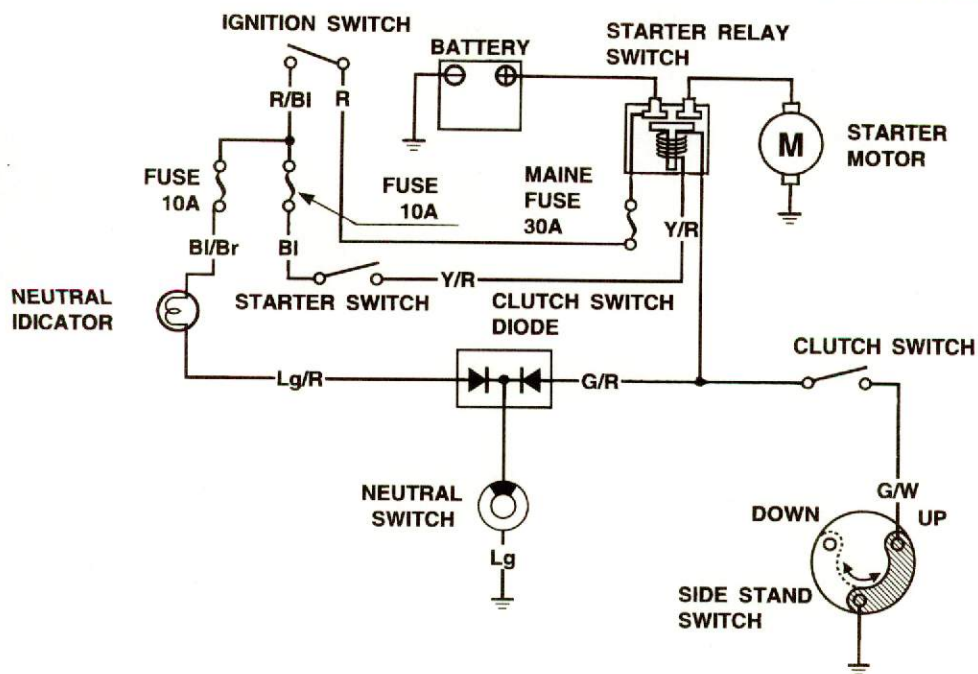
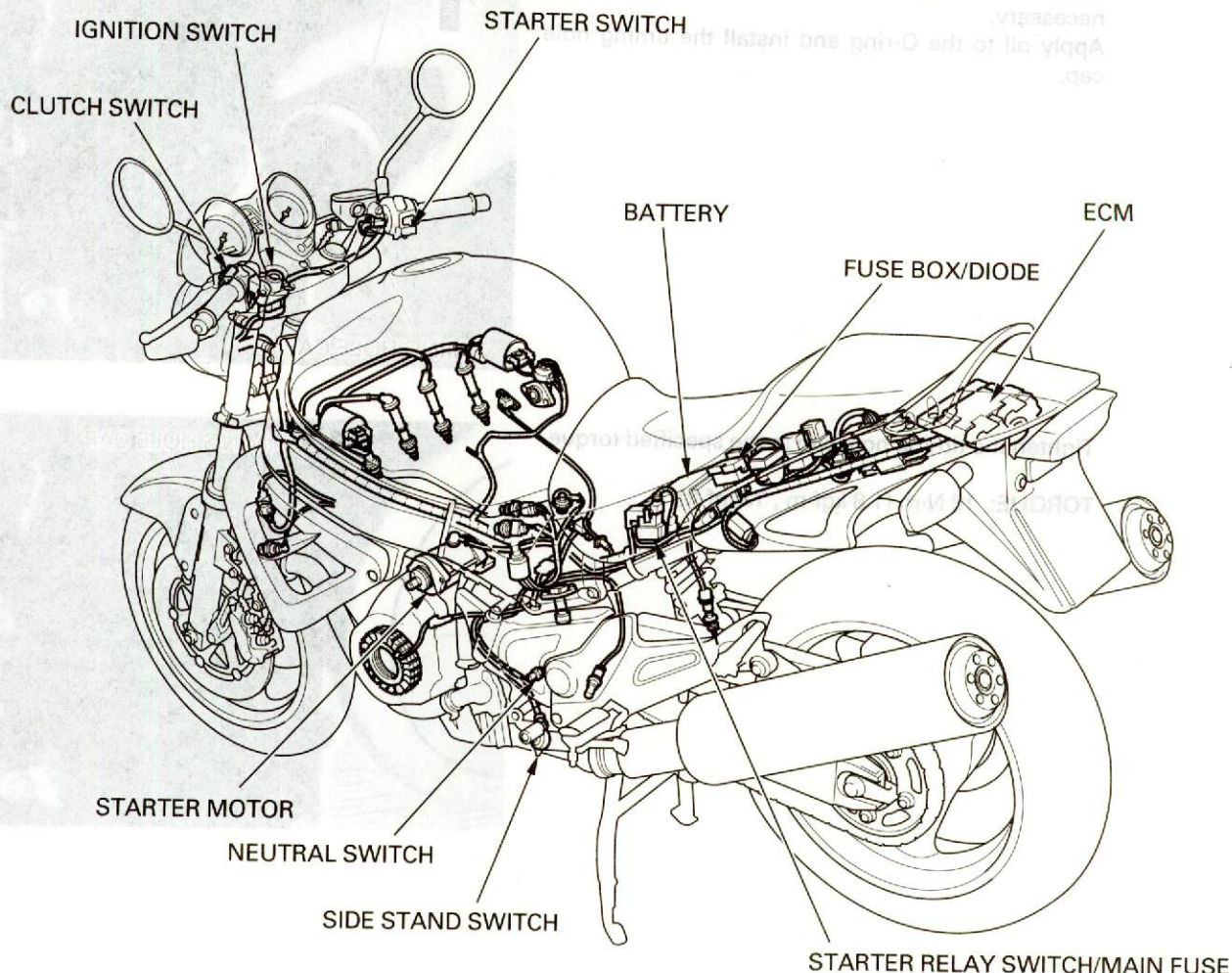


ELECTRIC STARTER

SYSTEM DIAGRAM



- BI BLACK
- Y YELLOW
- Br BROWN
- G GREEN
- R RED
- W WHITE
- Lg LIGHT GREEN