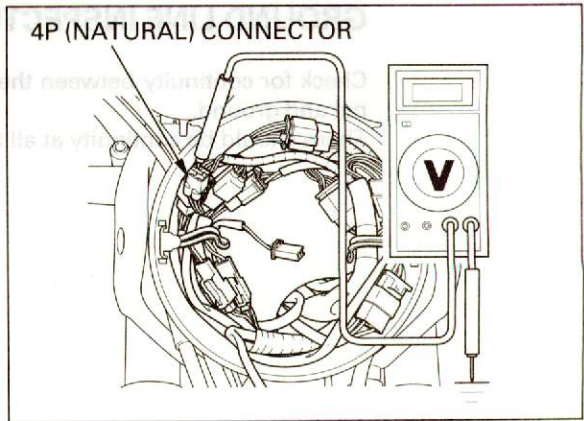


IMMOBILIZER SYSTEM (HISS)

SIGNAL LINE INSPECTION

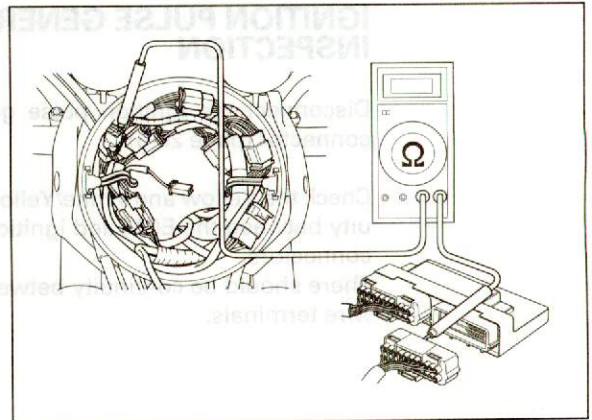
Measure the voltage between the Pink wire terminal (+) of the wire harness side connector and ground (-).
Turn the ignition switch ON.
There should be approx. 5 V.



Remove the seat (page 2-2).

Disconnect the engine control module (ECM) connector.
Check the Orange/Blue wire for continuity between the immobilizer receiver and ECM connectors.
There should be continuity.

Check for continuity between the Orange/Blue wire terminal and ground.
There should be no continuity.

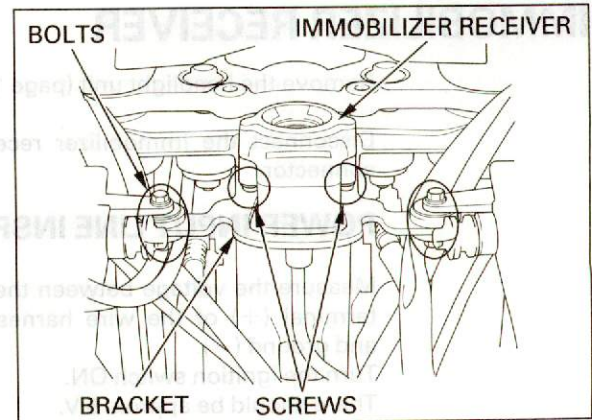


REPLACEMENT

Remove the wire band.
Remove the two screws and the immobilizer receiver.

Install a new receiver and tighten the two screws.
Route the receiver wire properly (page 1-24).

Install the removed part in the reverse order of removal.



REQUIRED PARTS FOR PROBLEM

Problem	Replacement parts				
	Transponder key	Immobilizer receiver	ECM	Ignition switch	*Accessory lock and key
One key has been lost, or additional spare key is required	○				
All keys have been lost, or engine control module (ECM) is faulty	○		○		
Immobilizer receiver is faulty		○			
Ignition switch is faulty	○			○	
*Accessory lock is faulty					○

*Accessory lock means the seat lock, fuel fill cap or helmet holder.