

Fig. 7-5

7. The ignition timing for the No. 2 and 3 cylinders are also checked in the same manner described above.
8. The engine RPM is checked with a tachometer or a revolution counter located on the tester. Set the tachometer switch to the ON position, insert the tachometer cable, place the tachometer against the center of the spark advancer shaft and then read off the green scale.

## 7-2 IGNITION COIL

### a. Description

The ignition coil of a primary coil with 380 turns of enameled and secondary coil with 15,000 turns wire wound around the primary coil, with an iron core of laminated silicon steel sheets in the center. Each secondary coil has two high tension cables that lead to two spark plugs. (Fig. 7-6)

### b. Disassembly

1. Open the seat and remove the fuel tank in accordance with section 6-3 b on page 74.
2. Disconnect the electrical leads (yellow, blue and black/white leads).
3. Unscrew the two ignition coil mounting bolts and then the ignition coil can be removed from the frame. (Fig. 7-7)

### c. Inspection

1. Bench testing ignition coil  
Check the ignition coil using the service tester by following the procedure below. (Fig. 7-8, 9)

Connect the power cord to the 12V battery and ground the black ground cord.

Connect the ignition primary cord plug to the tester and connect the opposite terminal end to the primary terminal of the coil. Connect red test lead to the black terminal of the ignition coil; the white lead to the yellow cord of the left coil (right coil to the blue cord).

Connect the high tension cable (red) to the secondary coil terminal.

Position the selector knob to COIL TEST. Adjust the three point spark tester to the maximum distance spark is maintained and then note this distance. The coil is satisfactory if the distance is greater than 0.28 in (7 mm).

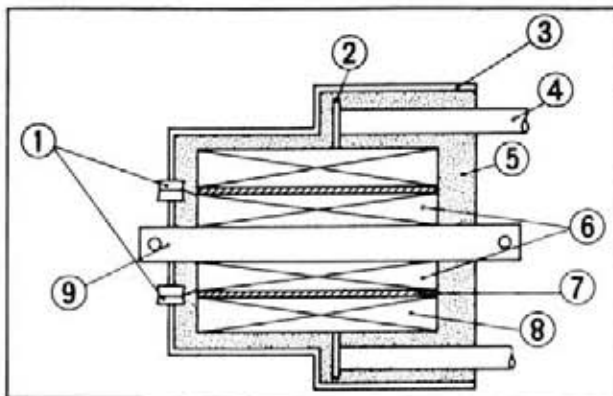


Fig. 7-6 ① Primary terminal ⑤ Synthetic resin  
② High tension terminal ⑥ Primary coil  
③ Case ⑦ Bobbin  
④ High tension cord ⑧ Secondary coil  
⑨ Iron core

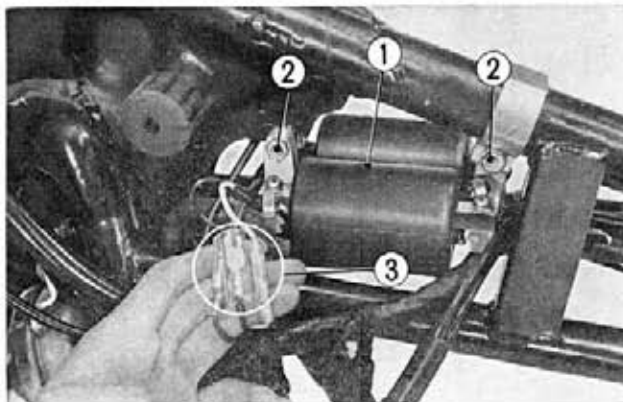


Fig. 7-7 ① Ignition coil ③ Leads connectors  
② Mounting bolts