

When the battery voltage exceeds approximately 14.5V the armature coil pulls the armature away from the upper contacts and closes the lower contacts to insert a resistance (10 Ω resistor) in the generator field coil circuit ; as the result of the resistance, the current to the field coil is reduced to 0.7 A and consequently a lower voltage is produced by the generator, limiting the amount of charge to the battery.

This function of inserting or removing the resistance into the generator field coil is performed by the voltage regulator in accordance with the charge condition of the battery regulate the charging of the battery. (Fig. 8-2)

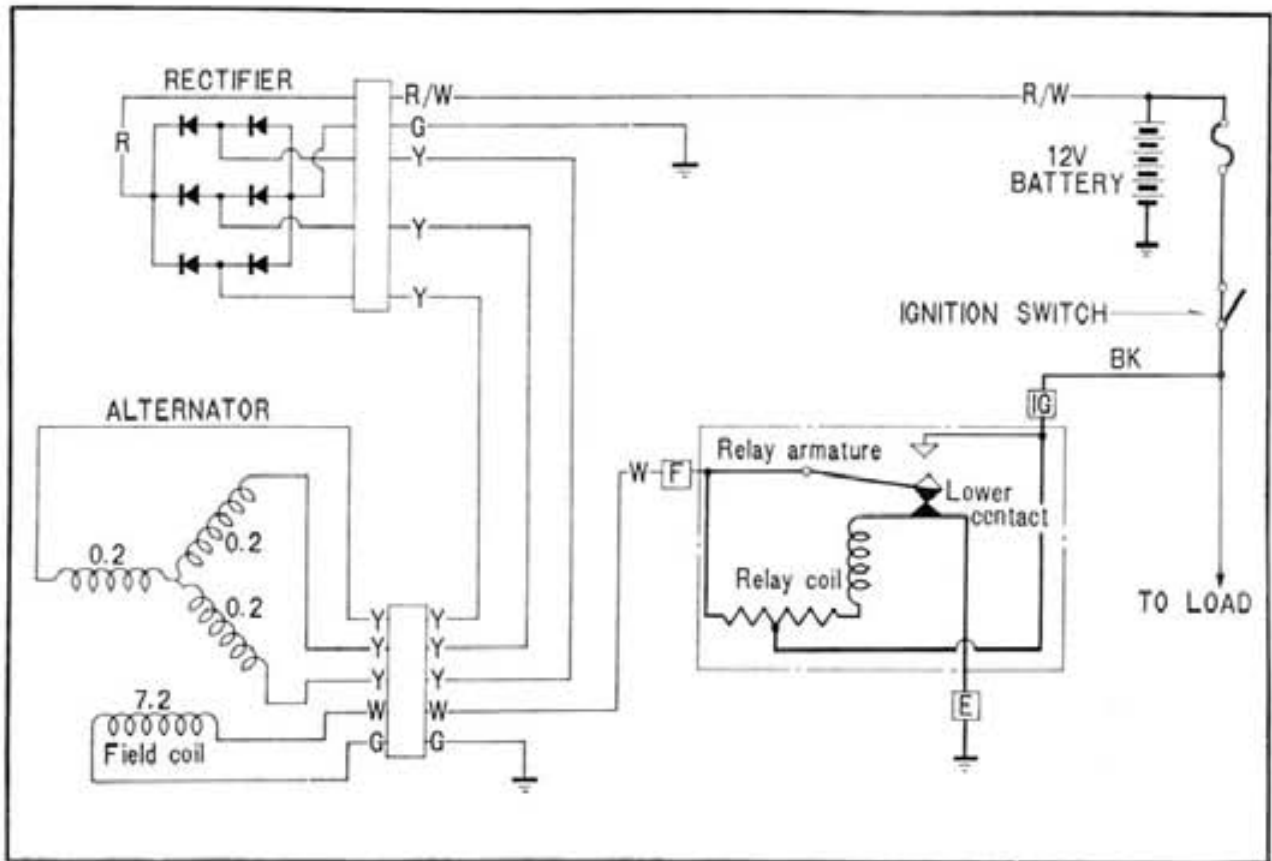


Fig. 8-2