

Fig. 9-8

## 9-4. STARTER MAGNETIC SWITCH

### a. Description

A large current is required to operate the starter and if the starter circuit was connected directly to the push button switch on the handle, the switch will burn out. A starter solenoid of a large capacity is installed between the battery and the starting motor. When the push button switch is pressed, the solenoid coil is energized, creating an electromagnet which draws the iron core. A heavy duty electrical contacts are mounted to this iron core which closes the circuit between the battery and the starting motor. (Fig. 9-9)

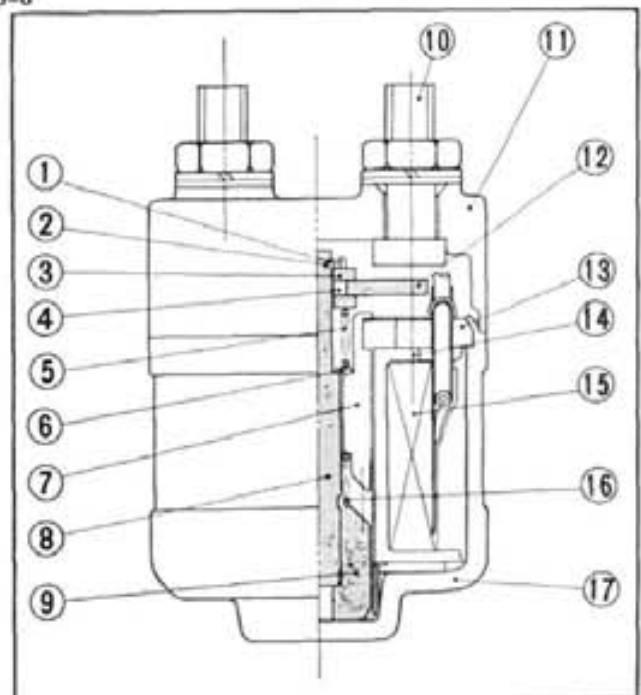


Fig. 9-9

- |                       |                 |
|-----------------------|-----------------|
| ① Stopper             | ⑩ Contact bolt  |
| ② Stopper holder      | ⑪ Case          |
| ③ Insulation washer   | ⑫ Contact plate |
| ④ Insulation collar A | ⑬ Yoke          |
| ⑤ Contact spring      | ⑭ Coil bobbin   |
| ⑥ Flat washer         | ⑮ Coil complete |
| ⑦ Plunger holder      | ⑯ Return spring |
| ⑧ Plunger shaft       | ⑰ Body          |
| ⑨ Plunger             |                 |