

- Remove the three oil tank mounting bolts and dismount the oil tank. (Fig. 15-10)

#### c. Inspection

- Check the oil tank for damages and defects, and replace if tank is leaking.
- Check the oil hoses fittings for tightness and free from leaks.

#### d. Reassembly

- Install the breather pipe and oil hoses securely on the tank.

**Note:** Make sure that hoses A and B are installed in their respective locations. (Fig. 15-11)

- Make sure that the oil tank is mounted on the rubber mounts and install three mounting bolts.
- Install the oil hoses to their respective fittings on the engine.

**Note:** Make sure not to forget the 15 mm O ring.

- Install and tighten both the oil tank and crankcase drain plugs.
- Refill tank with oil (refer to page 178).

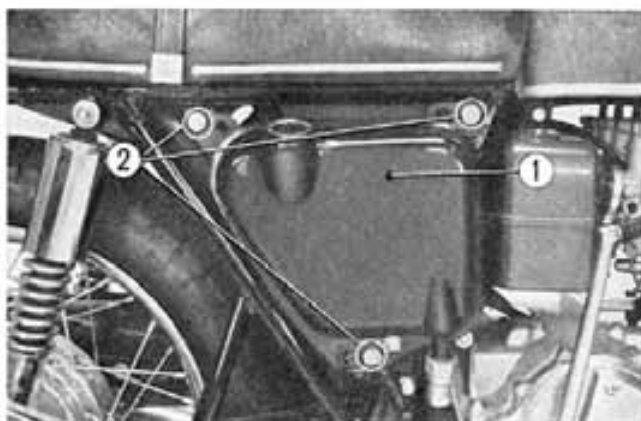


Fig. 15-10 ① Oil tank  
② Oil tank mounting bolts

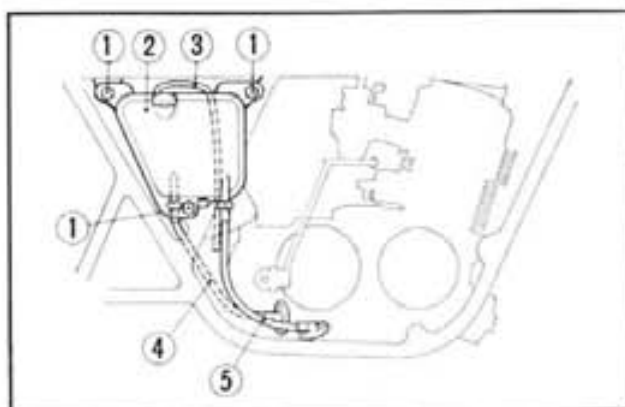


Fig. 15-11  
① 6 mm bolts ④ Oil hose A (delivery side)  
② Oil tank ⑤ Oil hose B (scavenge side)  
③ Breather tube A

## 15-4. AIR CLEANER

#### a. Description

The air cleaner is mounted at the center of the motorcycle under the fuel tank. The air cleaner element is of filter paper. The clean air which passes through the air cleaner is fed to the each carburetor. (Fig. 15-12)

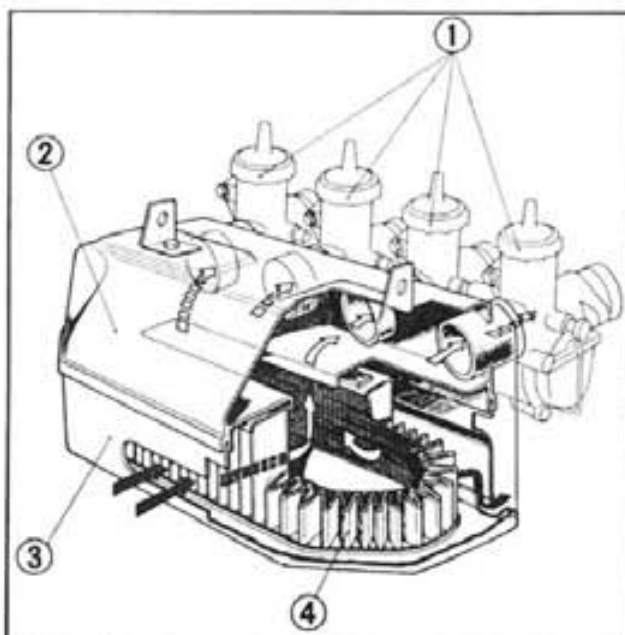


Fig. 15-12 ① Carburetors  
② Air cleaner case  
③ Air cleaner cover  
④ Air cleaner element