

Fig. 20-39 ① Pressure holder  
② Joint plate

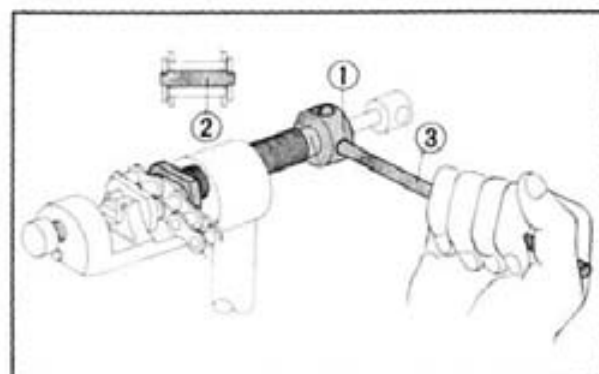


Fig. 20-40 ① Pressure bolt A  
② Joint pin ③ Handle bar

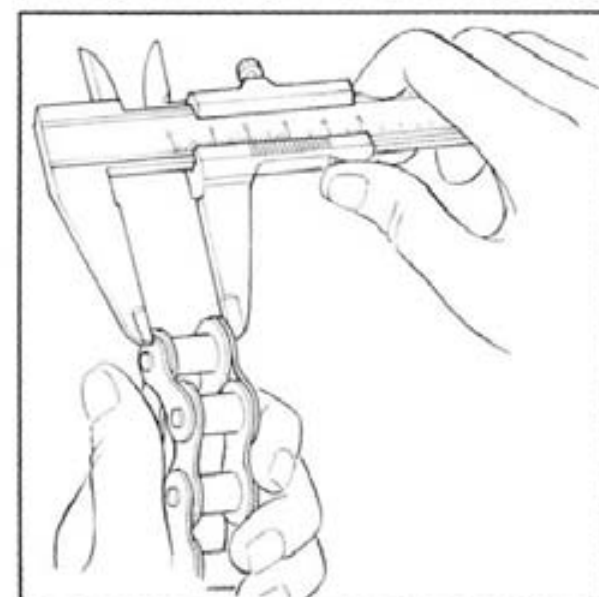


Fig. 20-41

2. Apply a thin coat of grease in recess of pressure holder. Set joint plate in recess of pressure holder with chamfered side (side with chain code stamped on it) inward, exercising care not to drop it.

3. Position chain portion to be connected between chain holder and pressure holder. Hold chain in position by screwing in pressure bolt A. After making sure that two pins of joint pin align with corresponding two holes in joint plate. By turning in pressure bolt A with handlebar, press-fit until it goes no longer because of steps on pins.

4. Measure distance between two joint plates to make sure if correctly press-fitted.

Specified distance between two plates:

DID50HDS.....19.7mm

DID50DS .....19.0mm

If reading exceeds specifications as above, repeat steps.