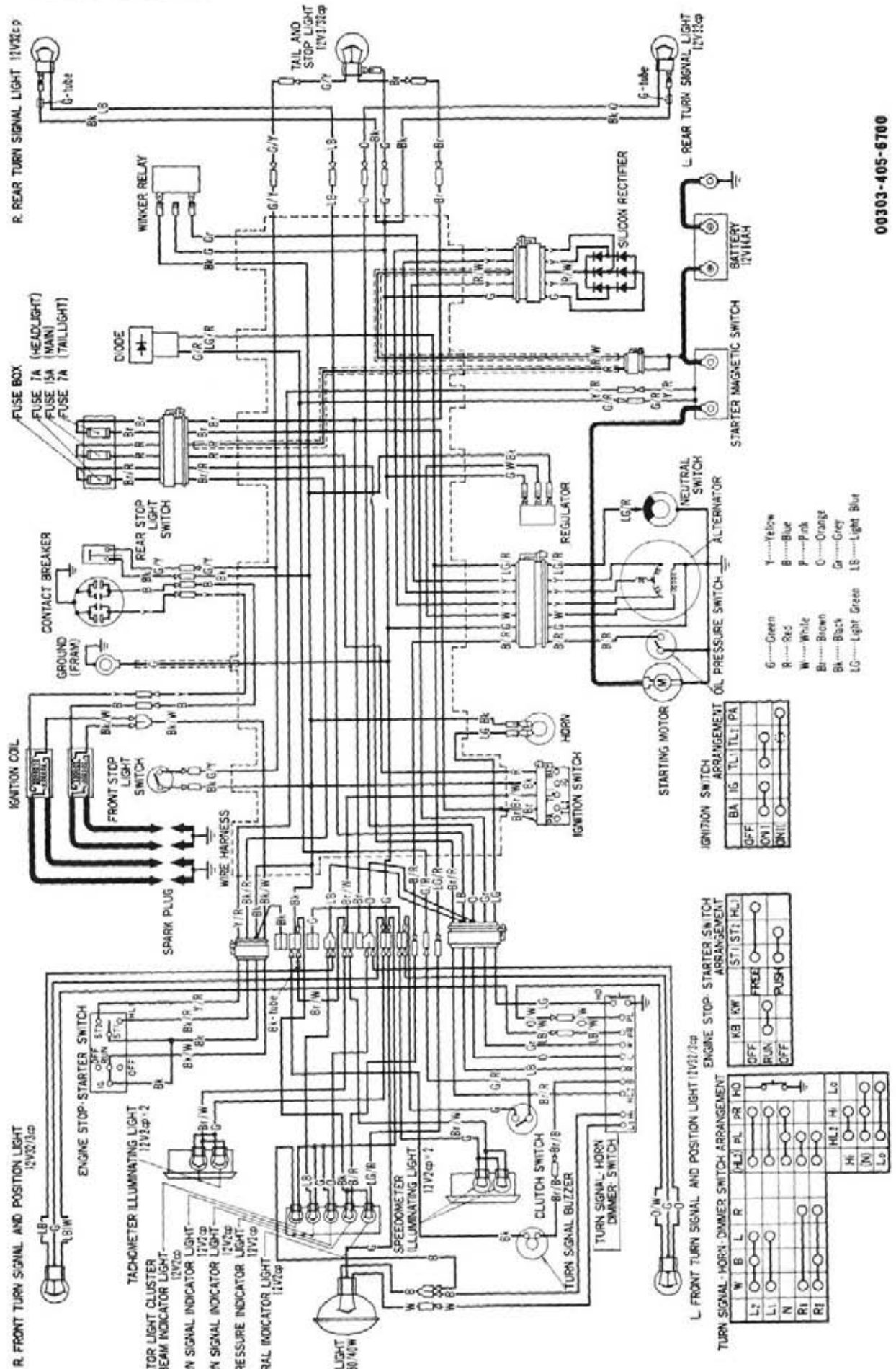


# 7. WIRING DIAGRAM



00303-405-6700