

Fig. F2-3 ① Brake pad ② Shim ③ Caliper holder

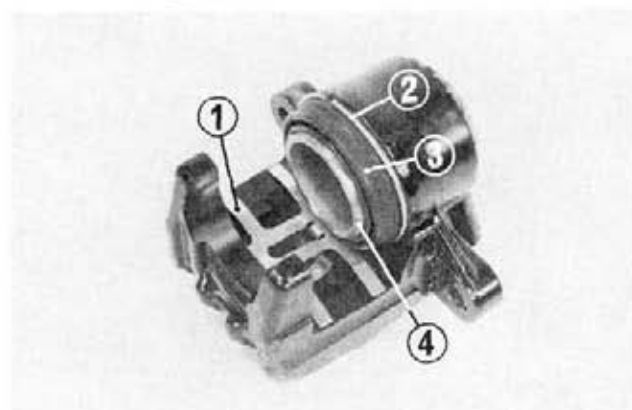


Fig. F2-4 ① Pad spring ② Boot clip ③ Piston boot ④ Piston

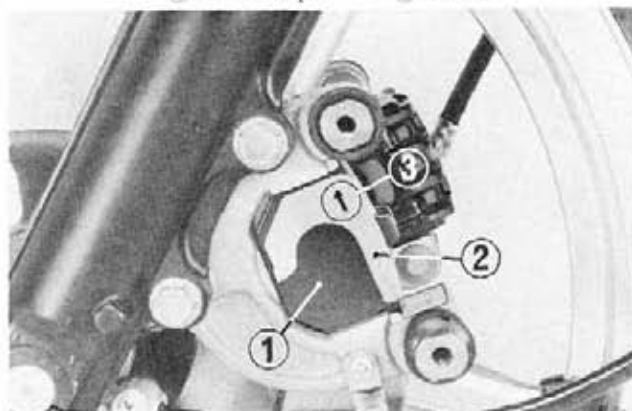


Fig. F2-5 ① Brake pad ② Shim ③ Arrow

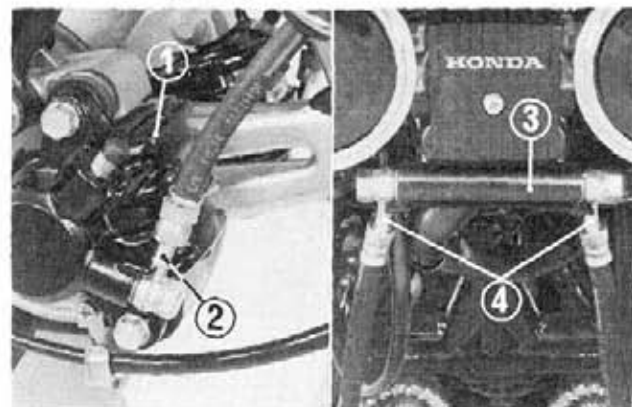


Fig. F2-6 ① Caliper ② Straight side ③ Three way joint ④ Bent side

3. Remove the brake pads and shim from the caliper holder.
4. Remove the pad spring from the caliper.
5. Remove the boot clip and piston boot. Apply compressed air in the caliper fluid inlet and remove the piston.

B. Assembly

To assemble, reverse the disassembly procedure. Observe the following notes.

1. Install the shim on the outside pad so that its arrow is in the normal rotating direction.
2. Install the brake hose so that the straight side of the hose ends is at the caliper and bent side is at the three way joint as shown in Fig. F2-6.