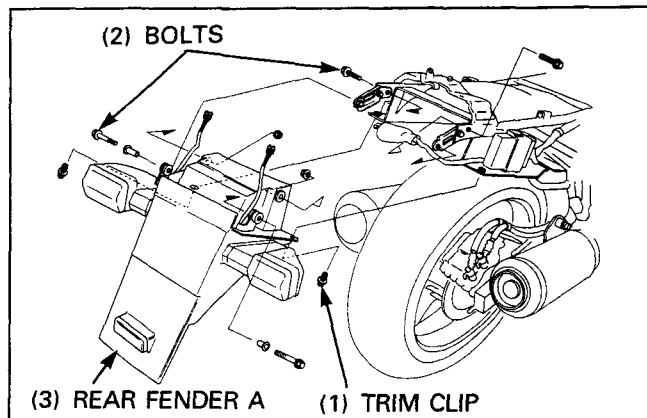


## Rear Fender

### Removal

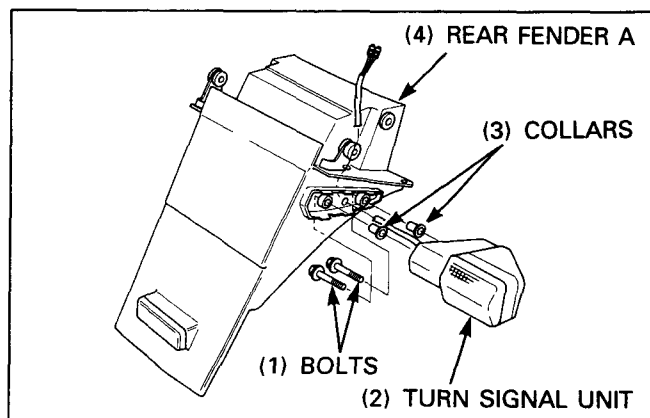
Remove the seat cowl (page 2-4).  
Disconnect the turn signal connectors.

Remove the trim clips.  
Remove the rear fender mounting bolts and nuts, then remove the rear fender A assembly.



Remove the following:

- Bolts
- Turn signal unit
- Setting collars



Remove the ignition control module and turn signal relay from the bracket on the rear fender B.

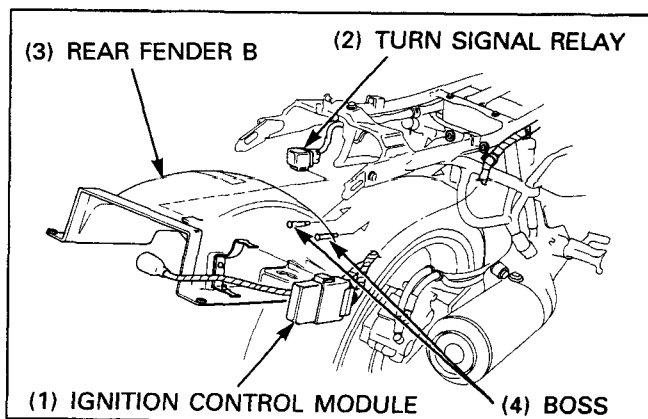
Pull the rear fender B out of the frame.

### Installation

Installation is in the reverse order of removal.

#### NOTE

- At installation of the rear fender B, align the boss on the rear fender B with the grommet holes in the battery case.



## Pivot Cover

### Removal/Installation

Remove the side cover (page 2-3).

Remove the two socket bolts.  
Release the hook from the frame, then remove the pivot cover.

Installation is in the reverse order of removal.

