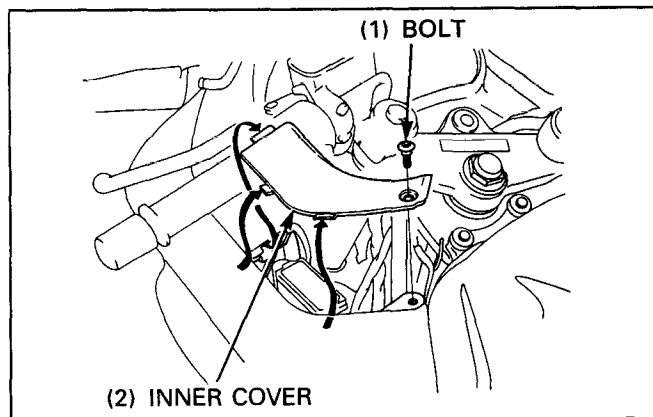
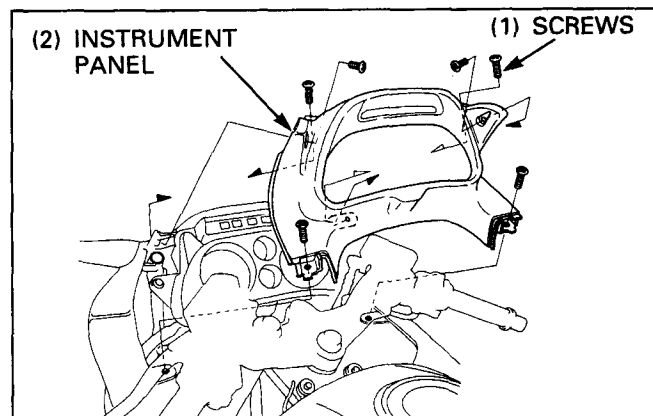


## Frame/Body Panels/Exhaust System

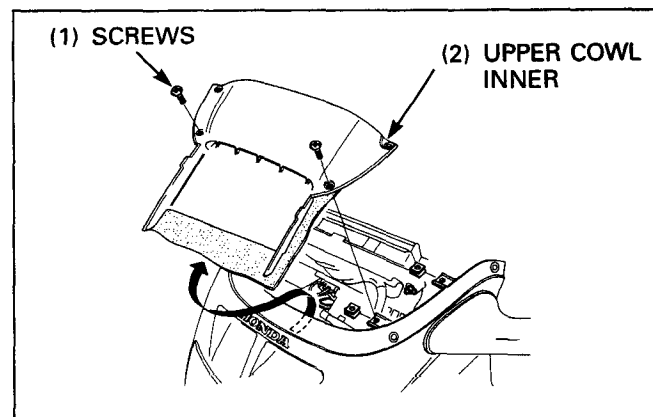
Remove the socket bolt on each side.  
Release the tabs and remove the inner covers.



Remove the screws and instrument panel.



Remove the screws and upper cowl inner.



Remove the upper fairing mounting bolts.

