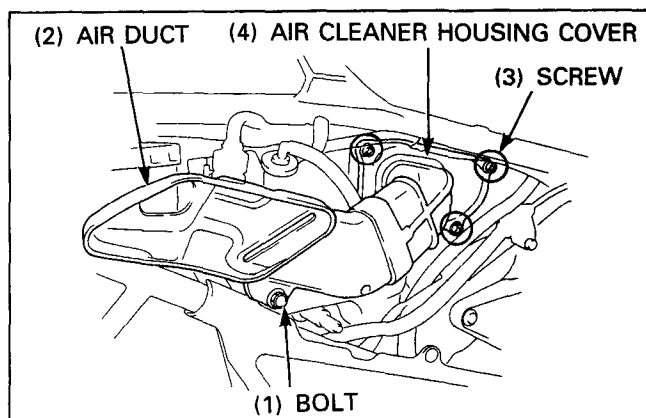


Air Cleaner

Remove the right side cover (page 2-3).

Remove the bolt and intake air duct.

Remove the three screws and air cleaner housing cover.



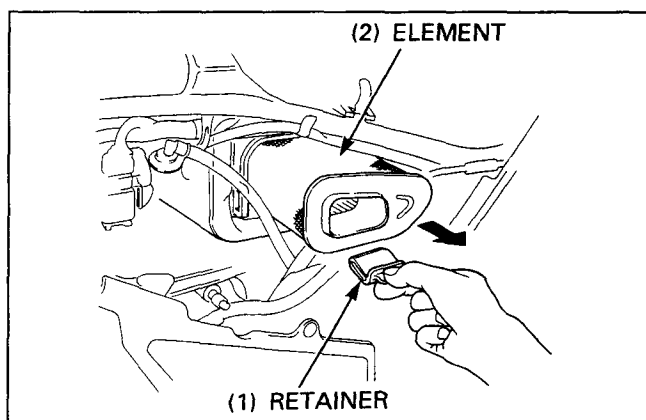
Remove the retainer and air cleaner element.

Replace the element in accordance with the maintenance schedule (page 3-4).

Also, replace the element any time it is excessively dirty or damaged.

Install a new air cleaner element and secure it with the retainer.

Install the removed parts in the reverse order of removal.



Valve Clearance

Inspection

NOTE

- Inspect and adjust the valve clearance while the engine is cold (below 35°C/95°F).
- The special 3 mm hexagon socket wrench is required for valve clearance adjustment. Modify a commercially available hexagon socket wrench as shown in the illustration.

Remove the following:

- Fuel tank (page 2-10)
- Cylinder head cover (page 8-2)

Remove the left crankcase protector cover.

Remove the crankshaft hole cap.

Rotate the crankshaft counterclockwise and align the index mark on the ignition pulse generator rotor with the "T" mark on the crankcase.

