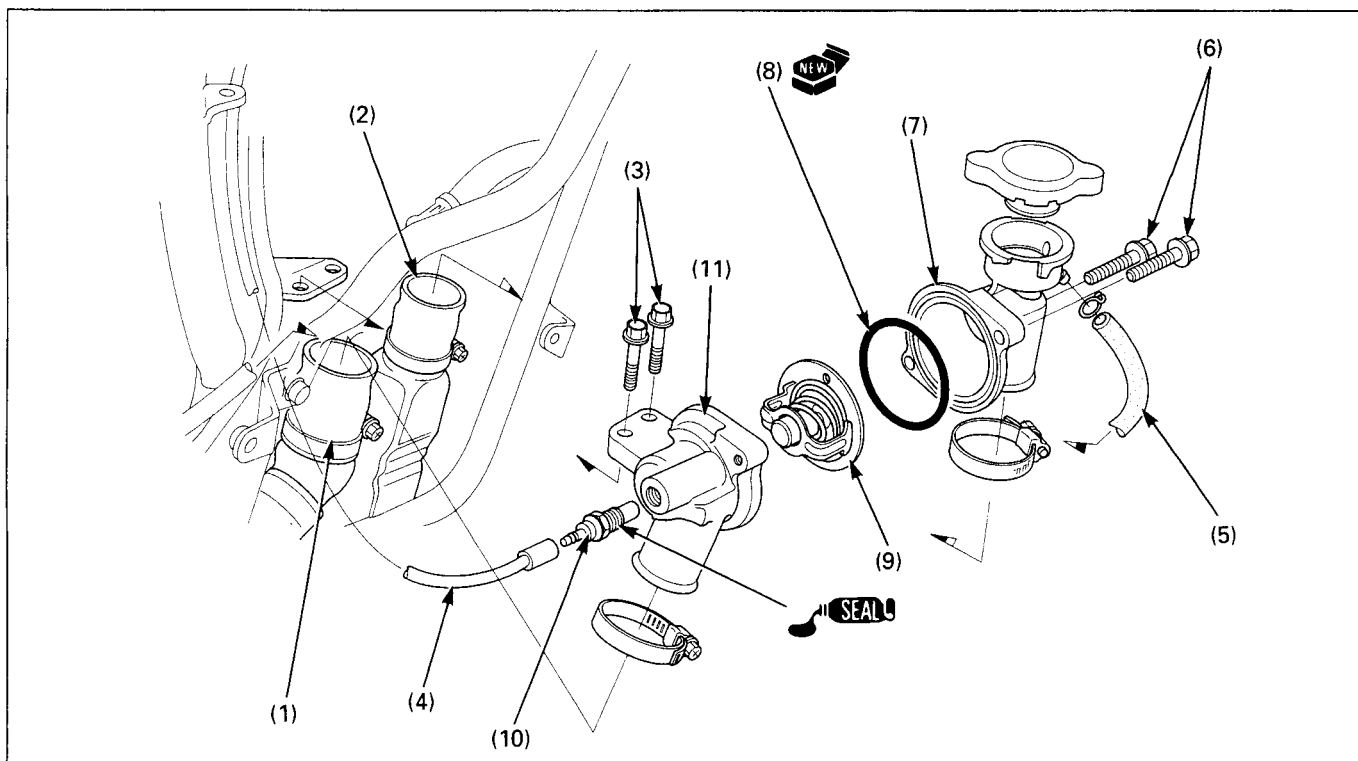


Thermostat Removal/Installation



Requisite Service

- Coolant draining/refilling
- Lower fairing removal/installation (page 2-6)
- Upper fairing removal/installation (page 2-7)

Procedure		Q'ty	Remarks
Removal Order			Installation is in the reverse order of removal.
(1)	Cylinder head-to-thermostat hose	1	Loosen the hose band, then disconnect it.
(2)	Radiator-to-thermostat hose	1	
(3)	Thermostat housing bolt	2	
(4)	Water temperature sensor connector	1	
(5)	Siphon tube	1	
(6)	Thermostat housing cover bolt	2	
(7)	Thermostat housing cover	1	
(8)	O-ring	1	
(9)	Thermostat	1	NOTE
(10)	Water temperature sensor	1	• Install the thermostat with its hole facing up and fit it properly in the housing.
(11)	Thermostat housing	1	