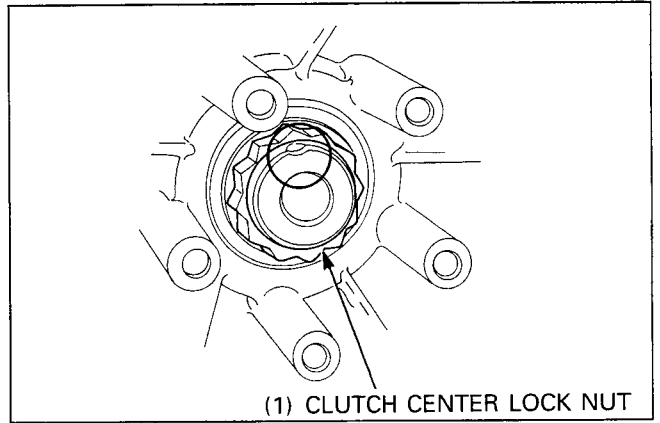


Clutch Center Lock Nut Removal/Installation

Lock Nut Removal

Unstake the clutch center lock nut.



Attach the clutch center holder to the clutch center.
Remove the lock nut using the special tools.

S. TOOL

Clutch center holder

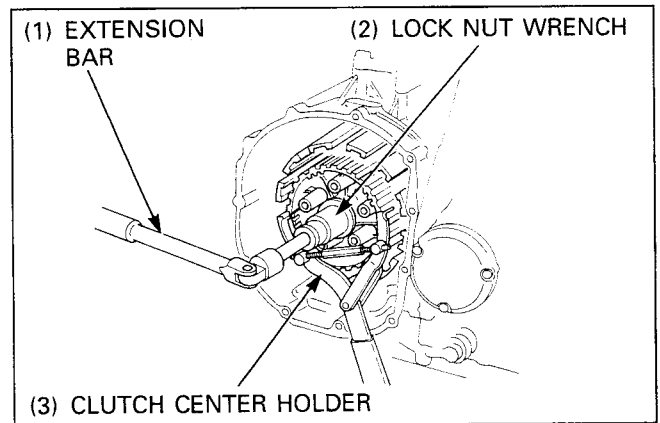
Lock nut wrench, 30 x 32 mm

Extension bar

07724-0050001

07716-0020400

07716-0020500

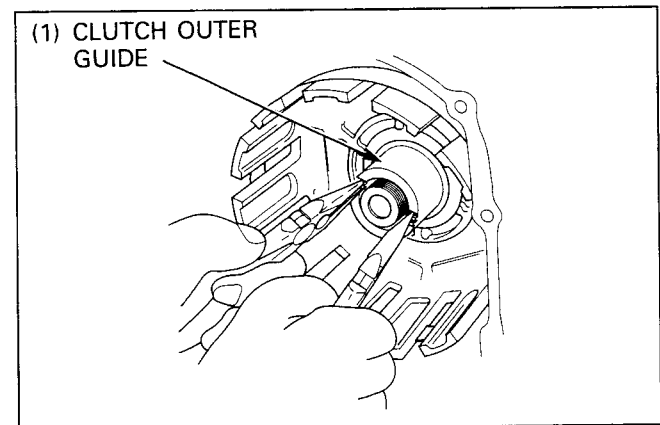


Clutch Outer Removal

Remove the lock washer and clutch center.

Pull the clutch outer guide with needle nose pliers.

Remove the needle bearing.



Remove the clutch outer from the mainshaft.

Remove the washer.

NOTE

- At clutch outer removal, remove the clutch outer turning the crankshaft until the primary drive gear clears the crank weight.

