

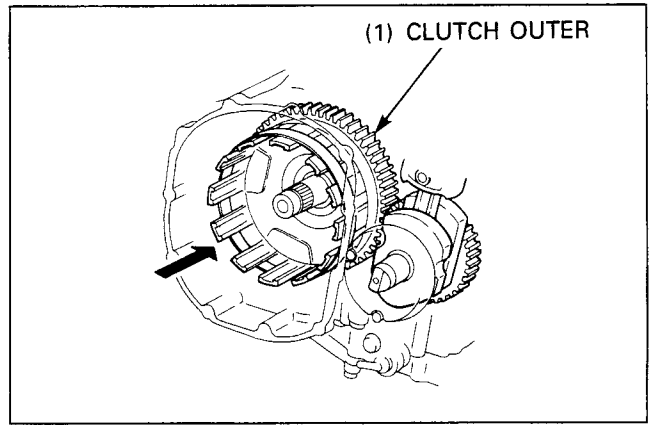
Clutch Outer Installation

Install the washer.

Install the clutch outer to the mainshaft.

Install the needle bearing.

Align the primary drive gear and crankshaft teeth with the screw driver, and install the clutch outer guide.

**Lock Nut Installation**

Install the washer, clutch center and lock washer.

Hold the clutch center with the clutch center holder.

S.TOOL

Clutch center holder

07724-0050001

Install a new lock nut and tighten it.

NOTE

- Never re-use the removed nut.

S.TOOL

Lock nut wrench, 30 x 32 mm

07716-0020400

Extension bar

07716-0020500

Torque: 128 N · m (12.8 kg-m, 93 ft-lb)

Stake the lock nut into the mainshaft end groove, as shown.

