

Shock Arm Needle Bearing Replacement

Removal

Press the needle bearing out of the shock arm using the special tools.

S.TOOL

Swingarm side:

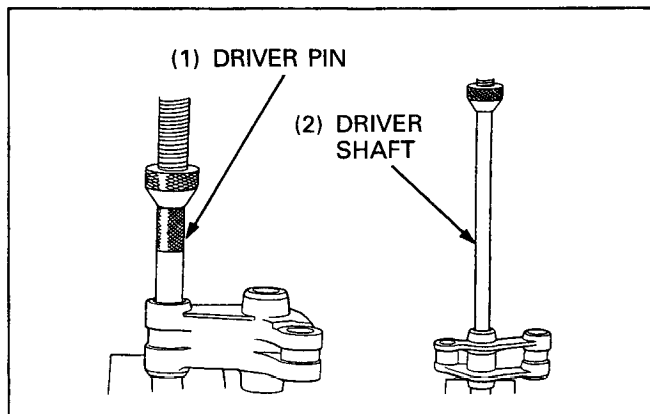
Driver pin

07GMD-KT80100

Shock link side:

Driver shaft

07946-MJ00100



Installation

Apply grease to the new needle bearings. Press the needle bearings into the shock arm using the special tools.

S.TOOL

Driver

07749-0010000

Attachment, 24 x 26 mm

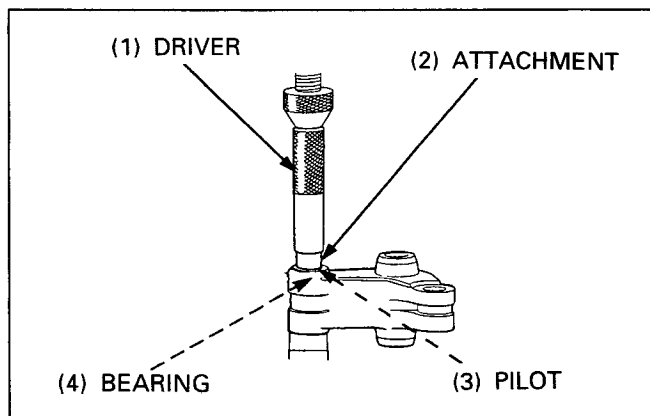
07746-0010700

Pilot, 17 mm

07746-0040400

NOTE

- Press the needle bearing into the shock arm with the marked side facing out.



Shock Link Needle Bearing Replacement

Removal

Remove the pivot collars and dust seals.

Remove the needle bearing using the special tools.

S.TOOL

Bearing remover

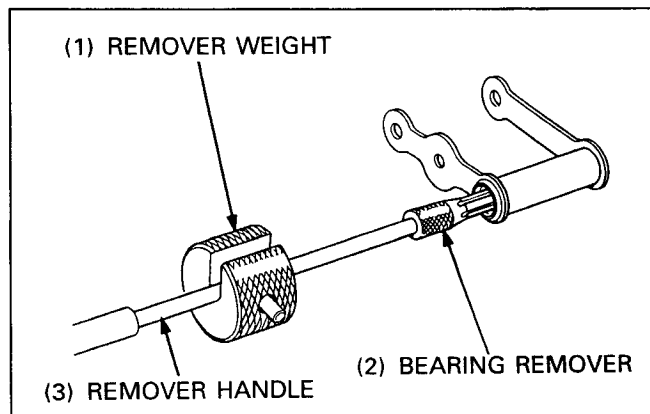
07936-3710300

- Remover handle

07936-3710100

- Remover weight

07741-0010201



Installation

Apply grease to the new needle bearings. Press new needle bearings into the shock link.

S.TOOL

Driver

07749-0010000

Attachment, 24 x 26 mm

07746-0010700

Pilot, 17 mm

07746-0040400

NOTE

- Press the needle bearing into the shock link with the marked side facing out.

