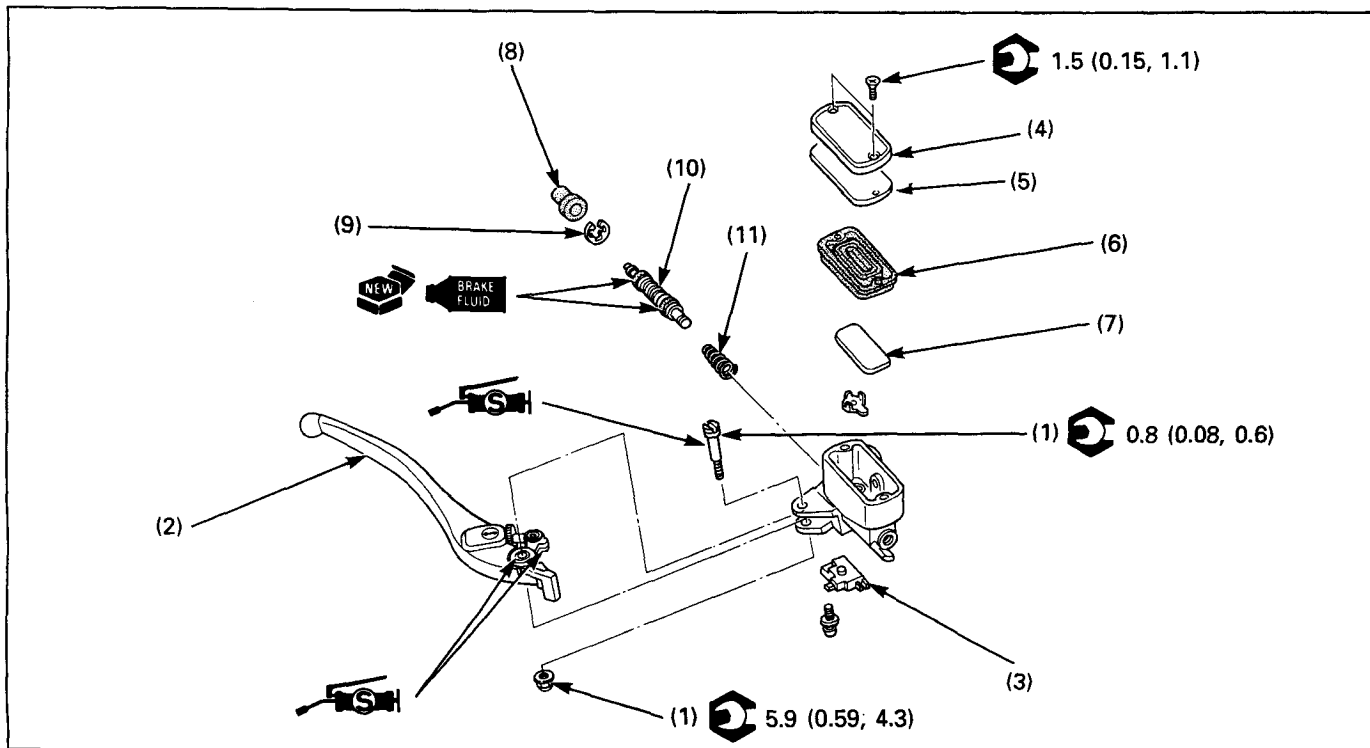


Front Master Cylinder Disassembly/Assembly



NOTE

- Replace the master piston, spring, cups, stopper plate, snap ring and boot as a set.
- The master piston, cups and spring must be installed as a set.

Requisite Service

- Front brake master cylinder removal/installation (page 13-16)

Procedure	Q'ty	Remarks
Disassembly Order		
(1) Brake lever pivot bolt/nut	1/1	Assembly is in the reverse order of disassembly.
(2) Brake lever assembly	1	
(3) Brake light switch	1	
(4) Reservoir cover	1	
(5) Diaphragm plate	1	
(6) Diaphragm	1	
(7) Float	1	
(8) Boot	1	
(9) Snap ring	1	
(10) Master piston assembly	1	<p>CAUTION</p> <ul style="list-style-type: none"> • Be certain the snap ring is fully seated in the groove.
(11) Spring	1	
		Install the spring with the small coil end facing to the piston.