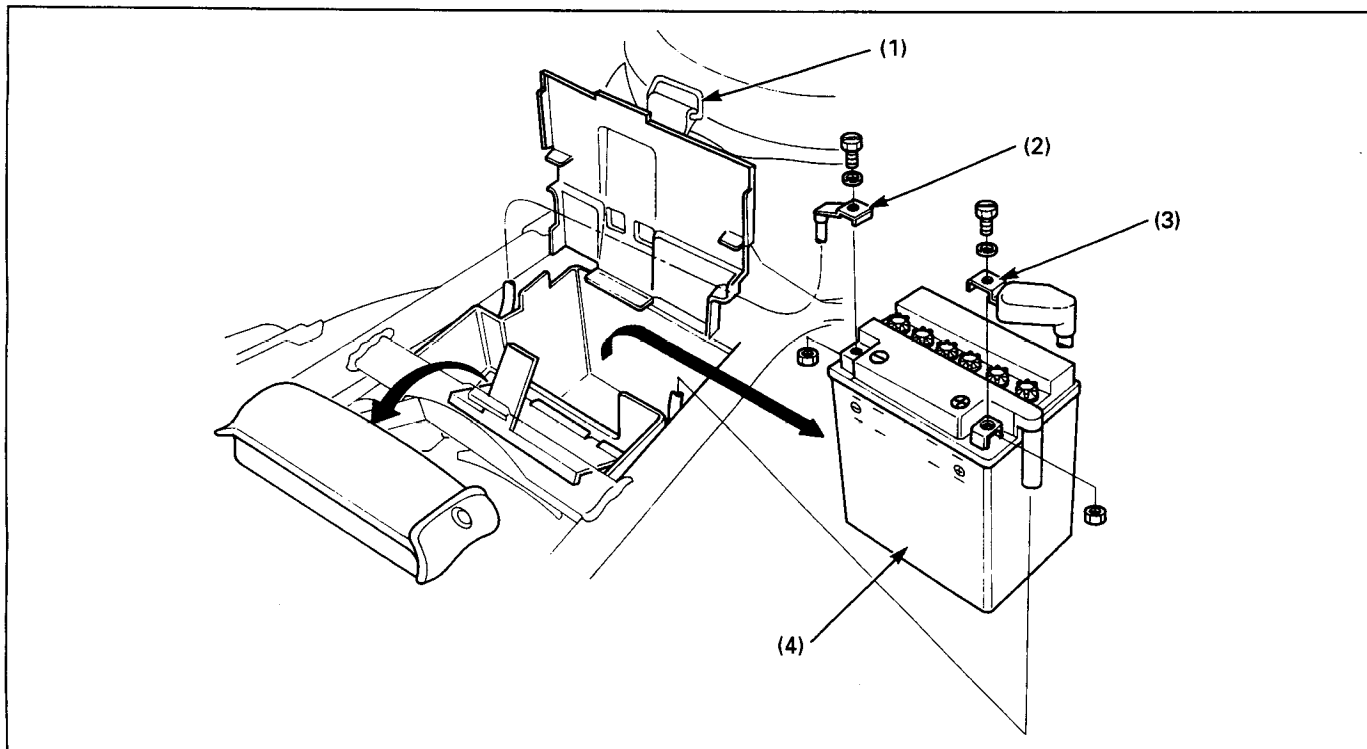


## Battery Removal/Installation



**NOTE**

- Always turn the ignition switch OFF before removing or installing the battery.

**Requisite Service**

- Seat removal/installation (page 2-3)

Procedure		Q'ty	Remarks
(1)	<b>Removal Order</b> Battery holder band	1	Installation is in the reverse order of removal. Remove the hook from the battery cover, then open the battery cover. After installation, apply clean grease to the terminal.
(2)	Negative terminal	1	
(3)	Positive terminal	1	
(4)	Battery	1	