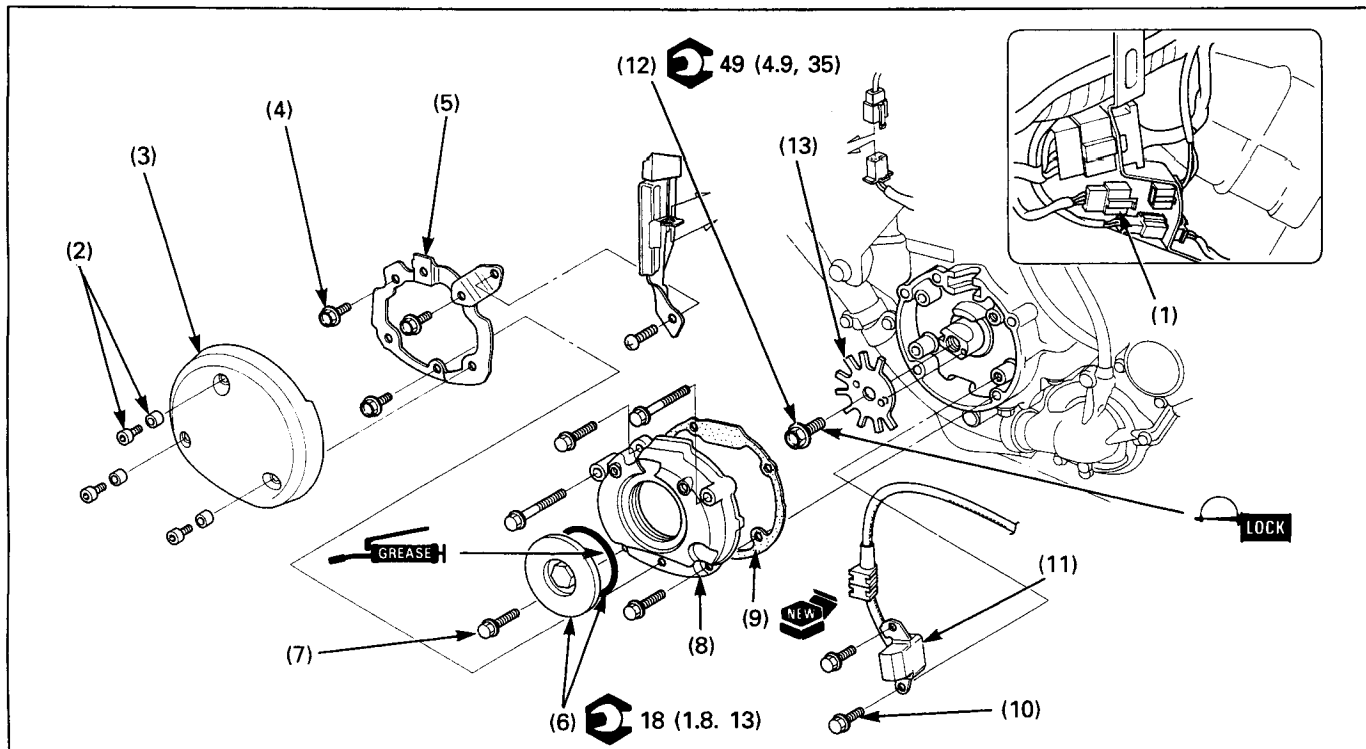


Ignition Pulse Generator Rotor Removal/Installation



NOTE

• If you plan to remove the ignition pulse generator, remove the right crankcase cover and hold the crankshaft.

Requisite Service

- Lower fairing removal/installation (page 2-6)

Procedure	Q'ty	Remarks
Removal Order		Installation is in the reverse order of removal.
(1) Ignition pulse generator 2P connector	1	After removal, remove the ignition pulse generator wire from the clamps.
(2) Socket bolt/collar	3/3	
(3) Left crank cover	1	
(4) Bolt	3	
(5) Bracket	1	
(6) Timing hole cap/O-ring	1/1	
(7) Ignition pulse generator cover bolt	5	
(8) Ignition pulse generator cover	1	
(9) Gasket	1	
(10) Ignition pulse generator bolt	2	
(11) Ignition pulse generator	1	At removal, remove the grommet from the crankcase.
(12) Ignition pulse generator rotor bolt	1	
(13) Ignition pulse generator rotor	1	At installation, align the projections on the rotor with cut out and on the crankshaft.