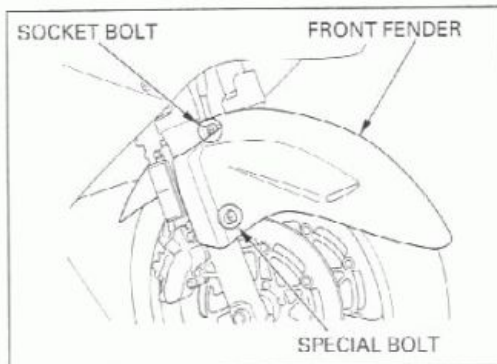


FRONT FENDER

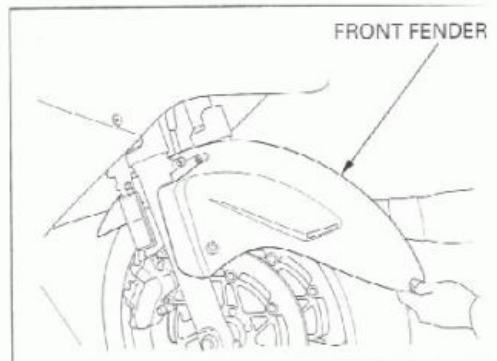
REMOVAL

Remove the special bolts and socket bolts.



Pull the front fender forward and remove it.

Installation is in the reverse order of removal.



REAR FENDER

REMOVAL

Remove the following:

- Seat cowl (page 2-2)
- Fuel tank mounting bolts (page 3-6)
- Battery (page 16-5)
- Turn signal relay
- Headlight relay
- Engine stop relay
- Starter relay switch

Disconnect the sub-harness 14P, 8P and 1P connectors. (After '99 only).

Unhook the retaining tab and remove the fuse box. Unhook the retaining tab and remove the main fuse case.

Disconnect the rear brake light switch 2P white connector.

Disconnect the engine stop sensor 3P green connector.

