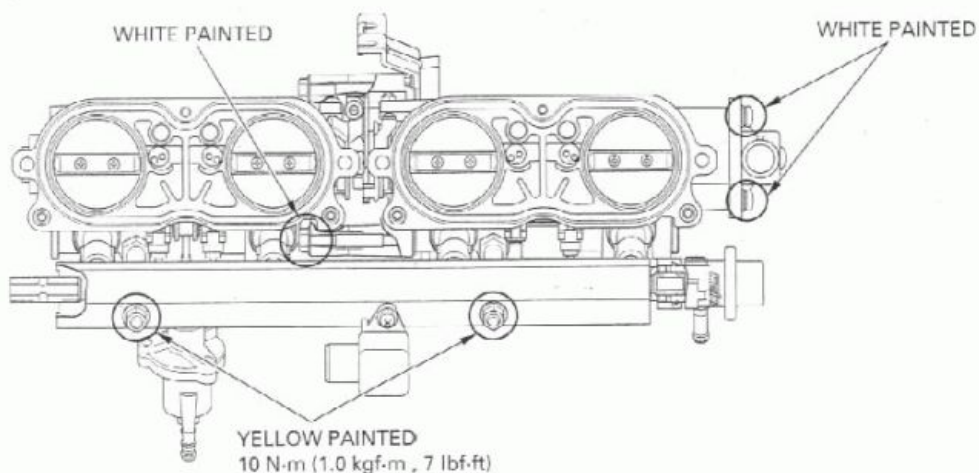


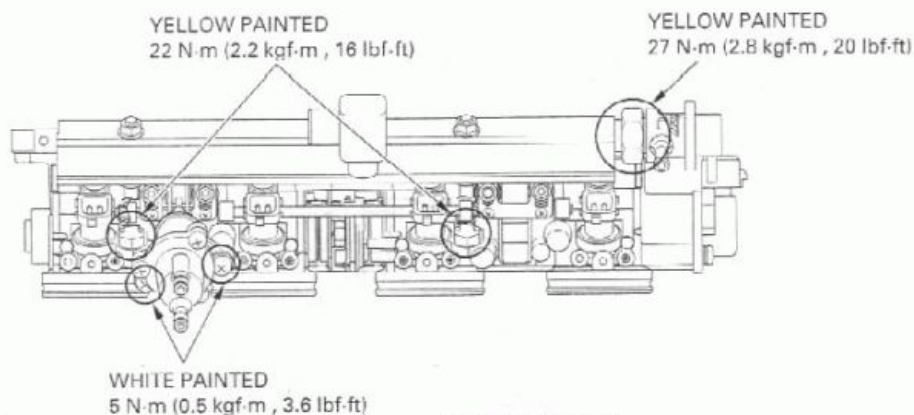
CAUTION:

- Do not damage the throttle body. It may cause incorrect throttle and idle valve synchronization.
- The throttle body is factory pre-set. Do not disassemble in a way other than shown in this manual.
- Do not loosen or tighten the white painted bolts and screws of the throttle body (except the wax unit mounting screws). Loosening or tightening them can cause throttle and idle valve synchronization failure.

TOP VIEW:

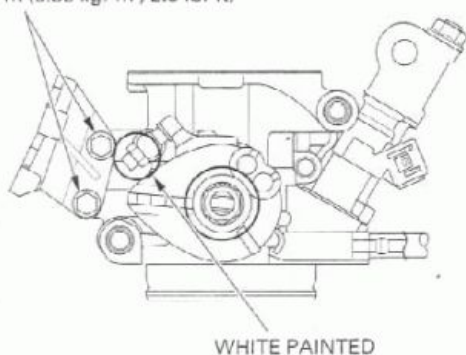


REAR VIEW:



THROTTLE DRUM VIEW:

3 N-m (0.35 kgf-m, 2.5 lbf-ft)



RIGHT SIDE VIEW:

