

### INSTALLATION (AFTER '99)

Install the throttle body sub-harness from the throttle body.  
Connect the connectors to the each sensor and injector.

Install the throttle body to the cylinder head.

Tighten the insulator band so that the insulator band distance is  $12 \pm 1$  mm ( $0.5 \pm 0.04$  in).

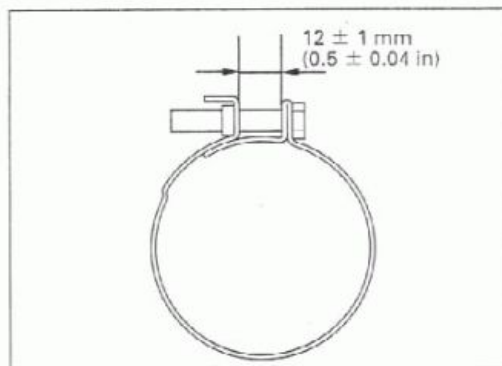
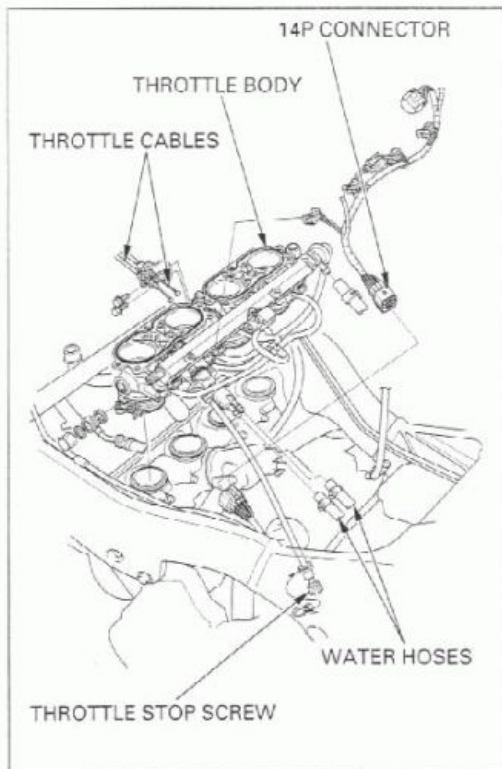
Connect the water hoses from the fast idle wax unit.

Connect the throttle body 14P connector.  
Connect the No.1/4 ignition primary wires.  
Connect the throttle cable ends from the throttle drum.

Install and tighten the throttle cable guide bracket mounting bolts.

Install the throttle stop screw from the guide.

Install the removed parts in the reverse order of removal.



## INJECTOR

### INSPECTION

#### **▲WARNING**

- If the engine must be running to do some work, make sure the area is well-ventilated. Never run the engine in an enclosed area.
- The exhaust contains poisonous carbon monoxide gas that may cause loss of consciousness and may lead to death.

Start the engine and let it idle.  
Confirm proper injector operating sounds with a sounding rod or stethoscope.

If the injector does not operate, replace the injector.

