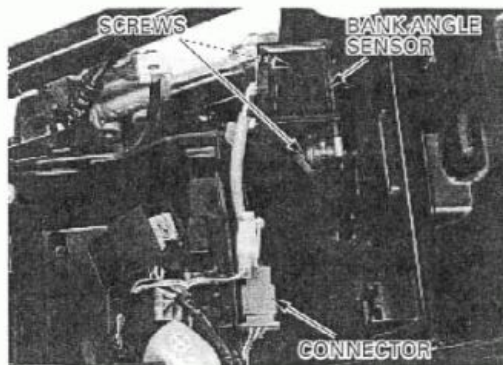


Turn the ignition switch to "OFF".  
Remove the screws and bank angle sensor.



Connect the bank angle sensor 3P green connector and place the bank angle sensor horizontal as shown, and turn the ignition switch to "ON".

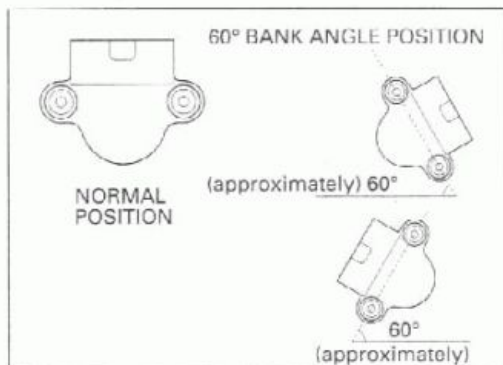
The bank angle sensor is normal if the engine stop relay clicks and power supply is closed.

Incline the bank angle sensor approximately 60 degrees to the left or right with the ignition switch turned to "ON".

The bank angle sensor is normal if the engine stop relay clicks and power supply is open.

### NOTE

If you repeat this test, first turn the ignition switch to "OFF", then turn the ignition switch to "ON".

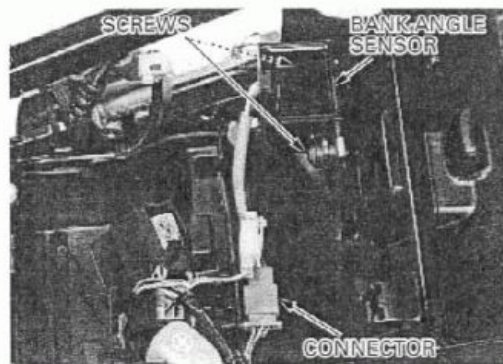


## REMOVAL/INSTALLATION

Remove the upper cowl (page 2-8).

Disconnect the bank angle sensor 3P green connector.

Remove the two screws, nuts and bank angle sensor.



Installation is in the reverse order of removal.

### NOTE:

Install the bank angle sensor with its "UP" mark facing up.

