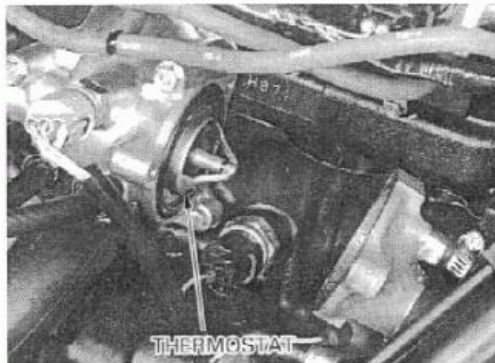


Remove the thermostat from the housing.



## INSPECTION

### ▲WARNING

- *Wear insulated gloves and adequate eye protection.*
- *Keep flammable materials away from the electric heating element.*

Visually inspect the thermostat for damage. Check for damage of the seal ring.

*Do not let the thermostat or thermometer touch the pan, or you will get false reading*

Heat the water with an electric heating element to operating temperature for 5 minutes. Suspend the thermostat in heated water to check its operation.

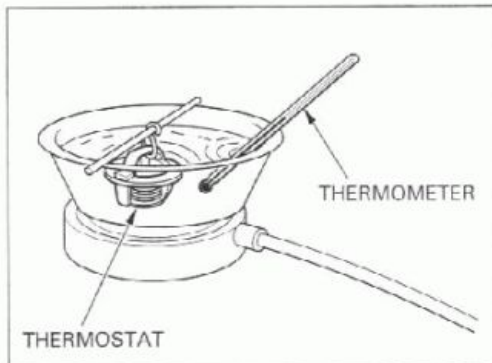
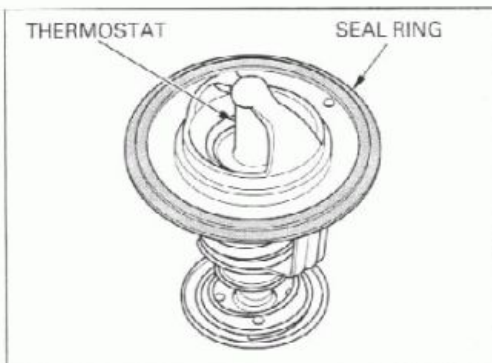
Replace the thermostat if the valve stays open at room temperature, or if it responds at temperatures other than those specified.

### THERMOSTAT BEGINS TO OPEN:

80–84 °C (176–183 °F)

### VALVE LIFT:

8 mm (0.3 in) minimum at 85 °C (185 °F)



## INSTALLATION

Install the thermostat into the housing with its air bleed hole facing up and aligning its ribs with the grooves in the housing.

