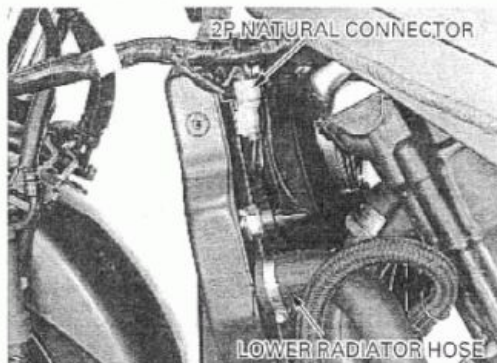
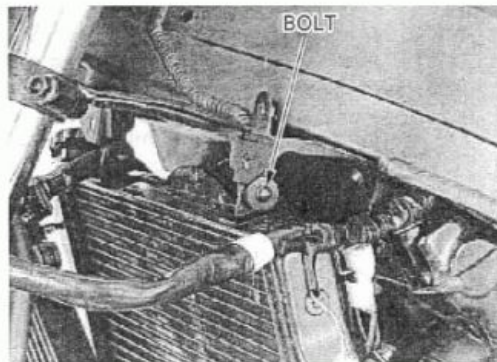


Disconnect the fan motor sub-harness 2P natural connector.

Disconnect the lower radiator hose.



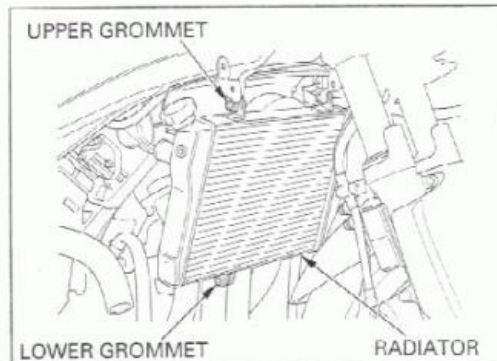
Remove the radiator mounting bolt.



Slide the radiator to the left, then release the upper and lower grommets from the bracket bosses. Remove the radiator assembly.

CAUTION:

Be careful not to damage the radiator core.



DISASSEMBLY

Disconnect the fan motor switch connector and release the cord from the clamps ('99 only). Remove the three bolts, ground eyelet and fan motor/cooling fan assembly.

