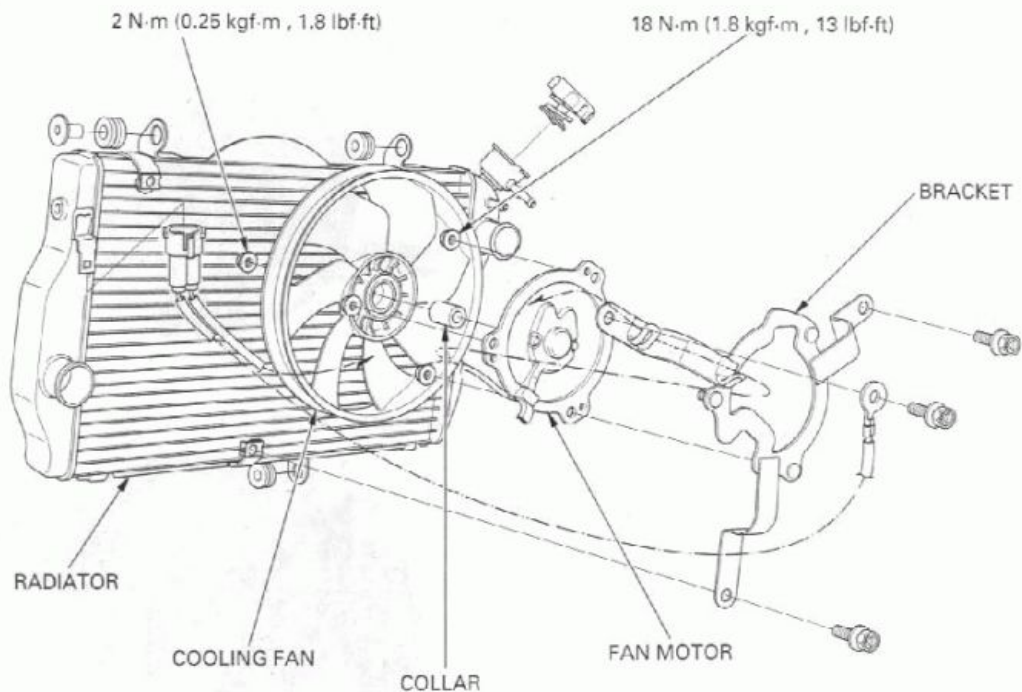
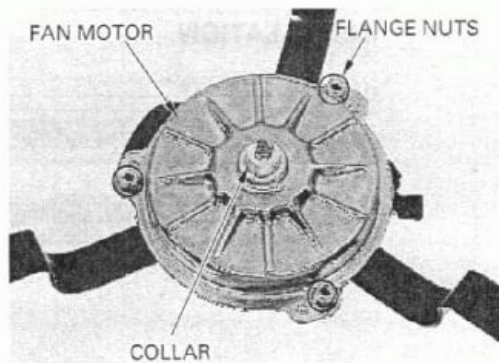


After '99:



Install the fan motor onto the fan motor bracket and tighten the nuts.
Install the collar onto the fan motor shaft.



Install the cooling fan onto the fan motor shaft by aligning the flat surfaces.

