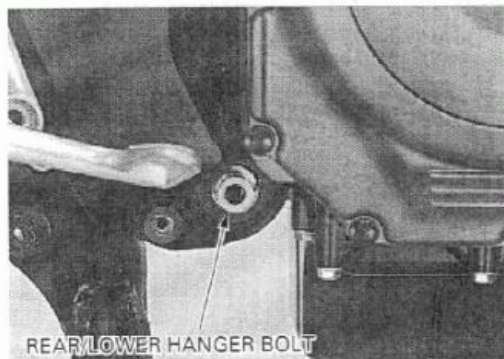


ENGINE REMOVAL/INSTALLATION

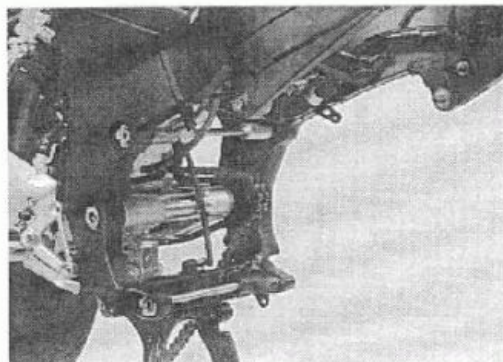
Remove the rear/lower engine hanger bolt, then remove the engine from the frame.



ENGINE INSTALLATION

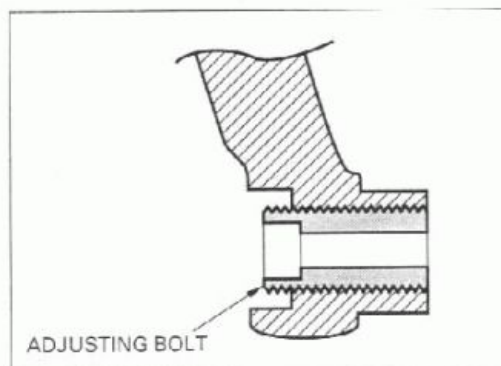
NOTE:

- Note the direction of the hanger bolts.
- Use a floor jack or other adjustable support to carefully maneuver the engine into place.



Install the engine hanger adjusting bolts so that the adjusting bolts does not projected inside surface of the frame.

Install the engine into the frame.



Install the rear/lower engine hanger bolt.

