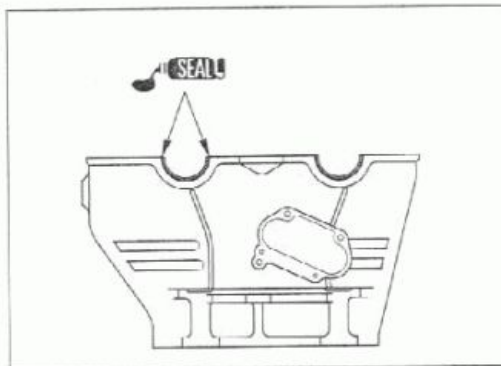
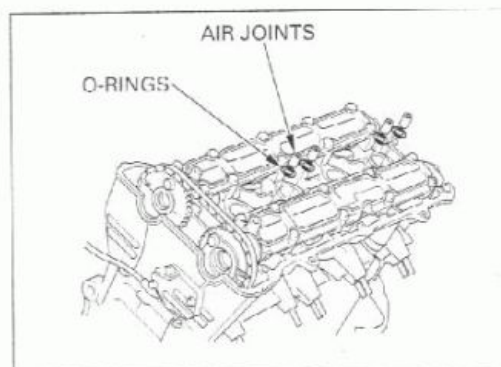


## CYLINDER HEAD/VALVES

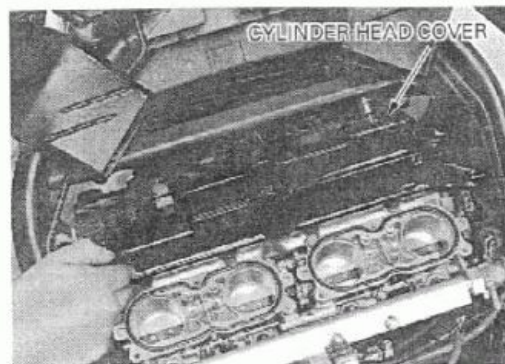
Apply sealant to the cylinder head semi-circular cutouts as shown.



Install the air joints and O-rings.



Install the cylinder head cover onto the cylinder head.



Install the washers with their "UP" mark facing up.

