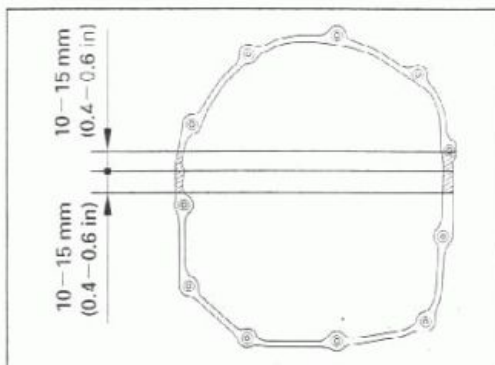
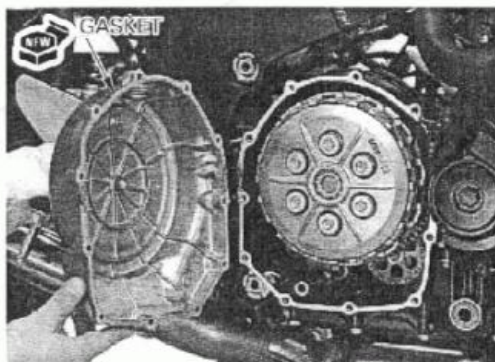


RIGHT CRANKCASE COVER INSTALLATION

Apply a sealant to the mating surfaces of the crankcase as shown.



Install a new gasket onto the right crankcase cover.



Install the right crankcase cover. Install and tighten the right crankcase cover SH bolts to the specified torque.

TORQUE: 12 N·m (1.2 kgf·m, 9 lbf·ft)

Pour the recommended engine oil (page 3-19).

