

CRANKCASE SEPARATION

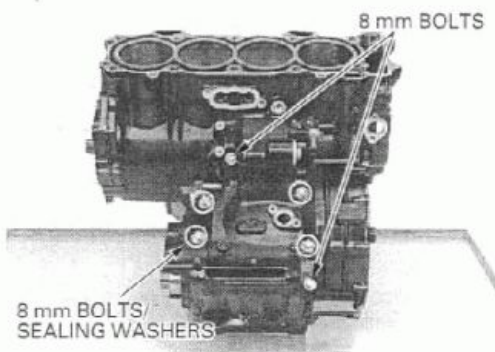
NOTE:

Refer to Service Information (page 11-1) for removal of necessary parts before separating the crankcase.

Remove the sealing plug and O-ring.

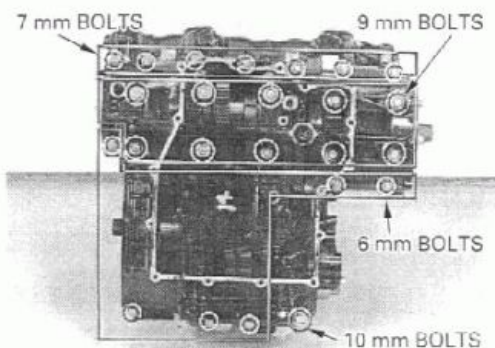


Remove the upper crankcase 8 mm bolts/sealing washers.



Remove the lower crankcase 6 mm bolts (six), 7 mm bolts (seven) and 10 mm bolt. Loosen the ten lower crankcase 9 mm bolts in a crisscross pattern in 2-3 steps, then remove the bolts and sealing washers.

Separate the lower crankcase from the upper crankcase.



Remove the dowel pins and oil orifices.

