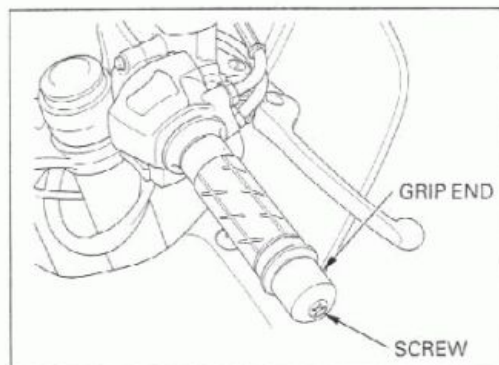


HANDLEBARS

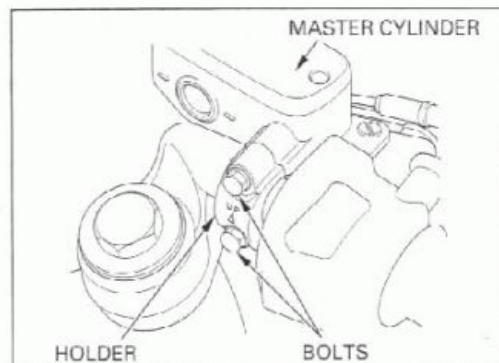
RIGHT HANDLEBAR REMOVAL

Remove the screw and the handlebar grip end.

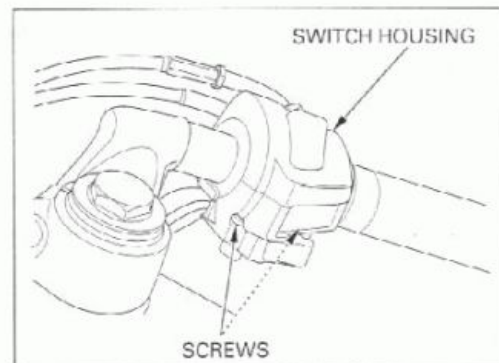


Disconnect the front brake switch wires connectors from the switch.

Remove the master cylinder holder bolts, holder and master cylinder assembly.



Remove the right handlebar switch/throttle housing screws.



Disconnect the throttle cable ends from the throttle pipe and remove the housing.
Remove the throttle pipe from the right handlebar.

