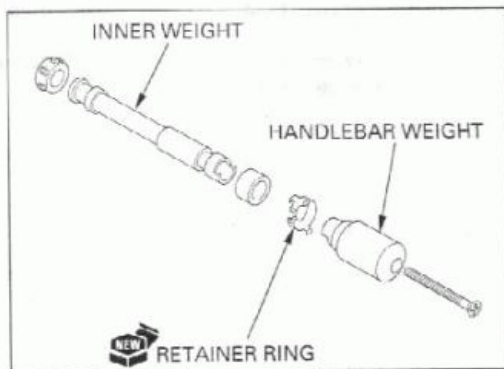


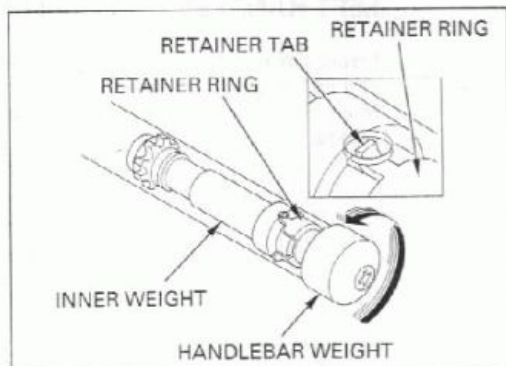
Remove the grip end from the handlebar weight.  
Discard the retainer ring.

Install the new retainer onto the handlebar weight.  
Install the grip end onto the handlebar weight aligning its boss with the slot in the handlebar weight.  
Install a new mounting screw.

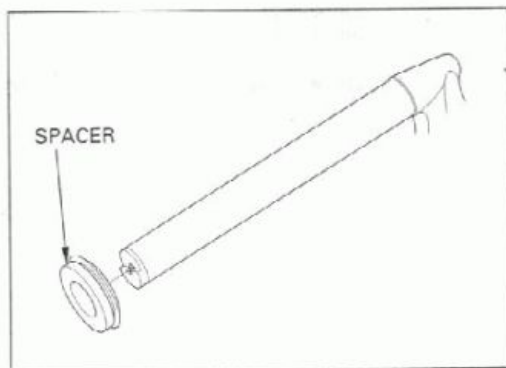


Insert the handlebar weight assembly into the handlebar.

Turn the handlebar weight and hook the retainer tab with the hole in the handlebar.



Install the left handlebar switch spacer onto the left handlebar.



Apply Honda Bond A or Honda Hand Grip Cement (U.S.A. only) to the inside of the grip and to the clean surfaces of the left handlebar and throttle grip.

Wait 3-5 minutes and install the grip.  
Rotate the grip for even application of the adhesive.

*Allow the adhesive to dry for an hour before using.*

