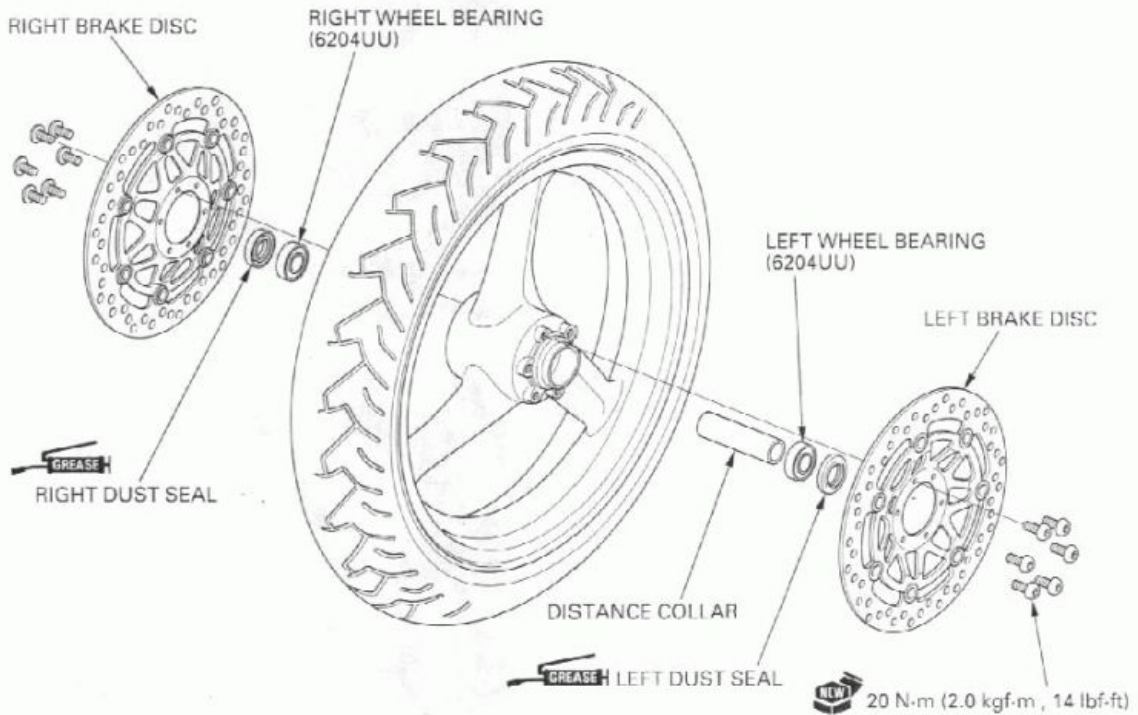


ASSEMBLY

**CAUTION:**

Never install the old bearings. Once the bearings has been removed, the bearing must be replaced with new ones.

Drive in a new right bearing squarely. Install the distance collar, then drive in the left bearing using the special tool.

TOOLS:

Driver	07749-0010000
Attachment, 42 × 47 mm	07746-0010300
Pilot, 20 mm	07746-0040500

▲WARNING

Do not get grease on the brake discs or stopping power will be reduced.

Install the brake discs on the wheel hub. Install and tighten the new mounting bolts to the specified torque.

TORQUE: 20 N·m (2.0 kgf·m, 14 lbf·ft)

Apply grease to the dust seal lips, then install them into the wheel hub.

