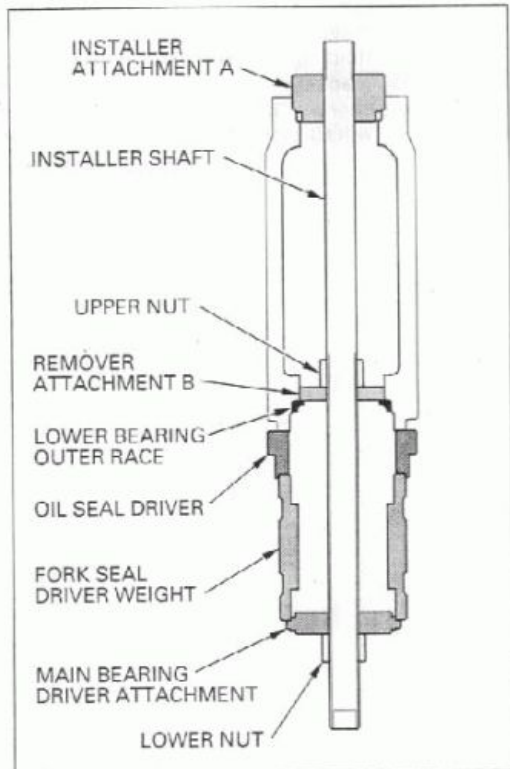


FRONT WHEEL/SUSPENSION/STEERING

Be careful not to drop the attachment into the frame. Install the special tools into the steering head pipe as shown.
Align remover attachment B with the groove in the steering head.
While holding the installer shaft with the wrench, turn the lower nut gradually to remove the lower bearing outer race.



Install a new upper bearing outer race and the special tools as shown.
While holding the installer shaft with the wrench, turn the lower nut gradually until the groove in installer attachment A aligns with the upper end of the steering head. This will allow you to install the upper bearing outer race.

