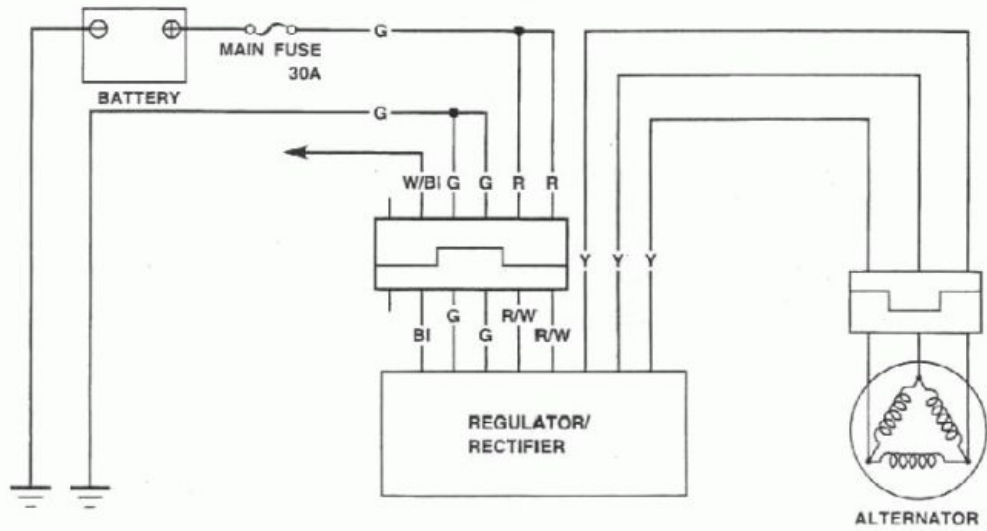


16. BATTERY/CHARGING SYSTEM

SYSTEM DIAGRAM	16-0	CHARGING SYSTEM INSPECTION	16-8
SERVICE INFORMATION	16-2	ALTERNATOR CHARGING COIL	16-10
TROUBLESHOOTING	16-4	REGULATOR/RECTIFIER	16-10
BATTERY	16-6		



- Y YELLOW
- G GREEN
- R RED
- W WHITE
- BI BLACK