

IGNITION SWITCH

INSPECTION

Remove the upper cowl (page 2-8).

Disconnect the ignition switch wire 3P white connectors.

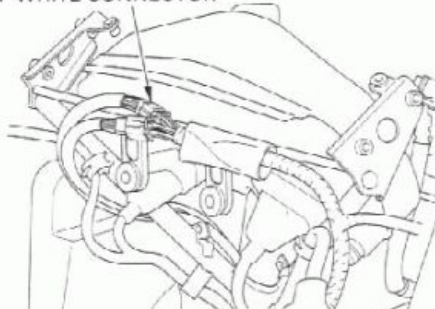
Check for continuity between the wire terminals of the ignition switch connector in each switch position.

Continuity should exist between the color coded wires as follows:

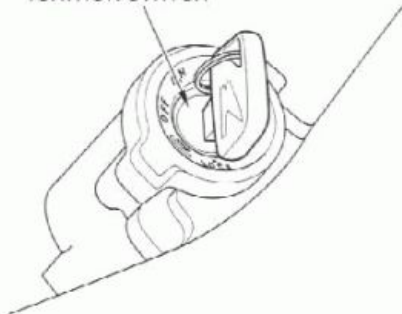
IGNITION SWITCH

	FAN	IG	BAT1	KEY
ON	○	○	○	KEY ON
OFF				KEY OFF
LOCK				KEY OFF LOCK PIN
COLOR	Bu/O	R/Bl	R	—

3P WHITE CONNECTOR



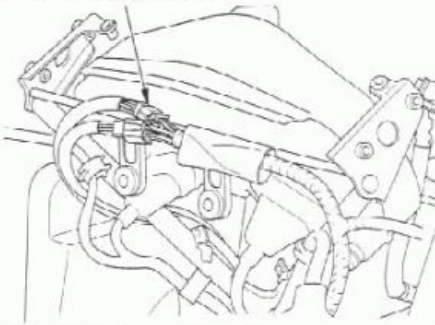
IGNITION SWITCH



REMOVAL/INSTALLATION

Disconnect the ignition switch wire 3P white connector.

3P WHITE CONNECTOR



Remove the wire clamp.
Remove the bolts and ignition switch.

Install the ignition switch in the reverse order of removal.

