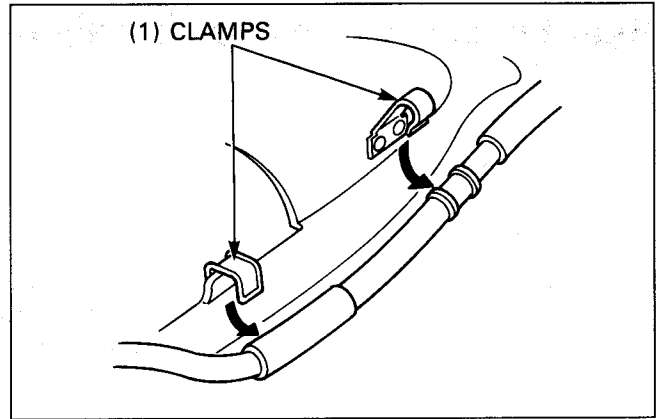


Rear Fender B Removal/Installation

Remove the screws and drive chain cover.

Release the brake hose from the clamps on the rear fender B.

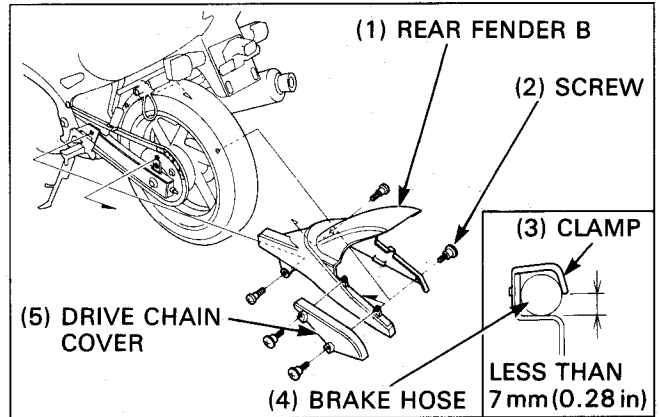


Remove the screws and remove the rear fender B.

Install the removed parts in the reverse order of removal.

NOTE

- After clamping the brake hose with rear clamp on the rear fender B, make sure the clamp opening is less than 7mm (0.28in).



Tail Cowl Removal/Installation

Remove the seat (page 2-2).

Remove the bolts and the tail cowl.

Install the tail cowl in the reverse order of removal.

If you removed the grab bar rubbers, install them aligning the bosses and holes of the tail cowl and grab bar rubber each other.

Each grab bar rubber has the identification mark; "R" is for right side and "L" is for the left.

