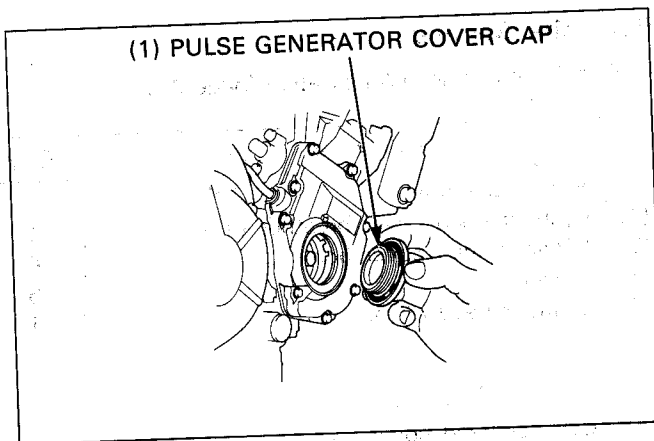
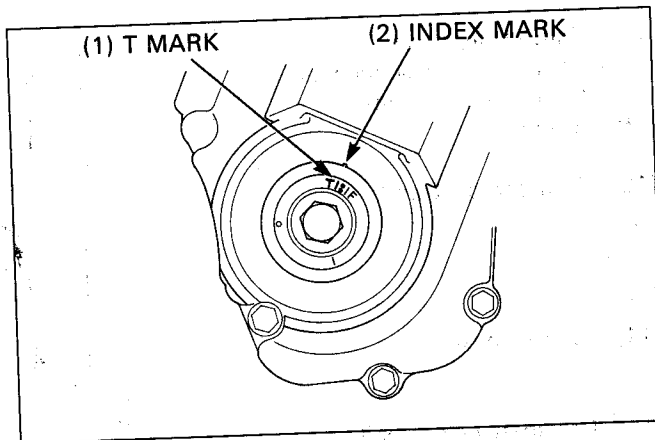


Camshaft Installation

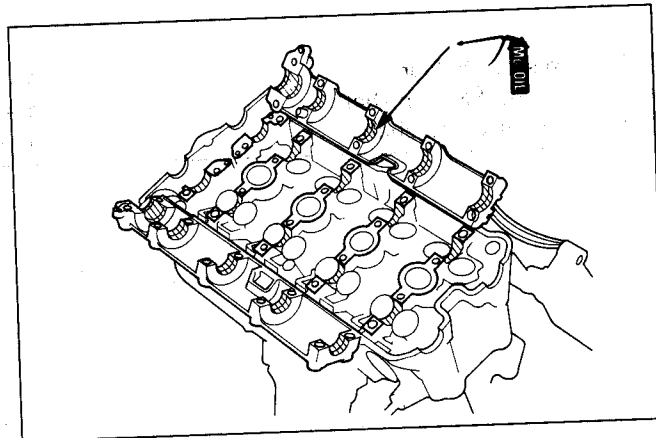
Remove the pulse generator rotor cover cap.



Align the T mark (notch mark) with the index mark on the pulse generator rotor cover by turning the crankshaft clockwise.



Apply molybdenum disulfide oil to the camshaft journals of the cylinder head and camshaft holders.



Install the camshafts onto the cylinder head with their cam lobes at the No. 1 cylinder facing up as shown.

NOTE

- Install the each camshaft to the correct side. Each camshaft has the identification mark; "IN" is for the intake side and "EX" is for the exhaust side.

