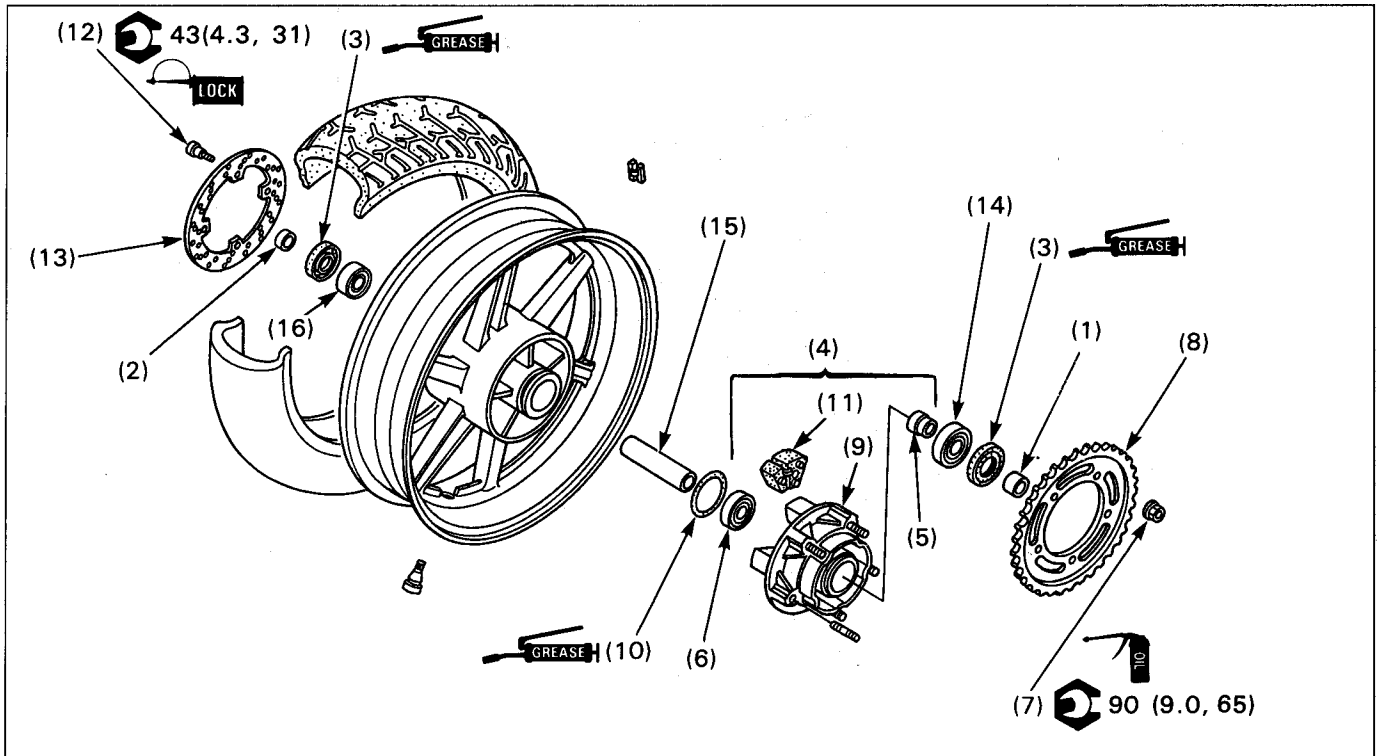


## Rear Wheel Disassembly/Assembly



**▲ WARNING**

- A contaminated brake disc or pad reduces stopping power. Discard contaminated pads and clean a contaminated disc with a high quality brake degreasing agent.

**NOTE**

- Replace the wheel bearings in pairs.
- Do not add more than 60 grams to the wheel balance weight.

**Requisite Service**

- Rear wheel removal/installation (page 13-2)

Procedure	Q'ty	Remarks
<b>Disassembly Order</b>		Assembly is in the reverse order of disassembly.
(1) Left side collar	1	
(2) Right side collar	1	
(3) Dust seal	2	
(4) Driven flange assembly	1	
(5) -Driven flange collar	1	
(6) -Driven flange bearing (62/22)	1	
(7) -Driven sprocket nut	4	
(8) -Driven sprocket	1	Install the driven sprocket with the stamped side facing out.
(9) -Driven flange	1	
(10) O-ring	1	
(11) Rear wheel dumper	5	
(12) Brake disc bolt	4	
(13) Brake disc	1	Install the brake disc with the stamped side facing out.
(14) Left wheel bearing (6204UU)	1	
(15) Distance collar	1	
(16) Right wheel bearing (6204UU)	1	